

IRONMONGERY PLUS Architectural Ironmongery Specialists

0131 605 0141

Access Control	1
SAMK - Stand Alone Management Kits	5
SADDE - Stand Alone DIN Door Escutcheon (Inc 44-50mm spindle kit)	6
SAWR - Stand Alone Wall Readers	7
SADE - Smartair Door Escutcheon	8
OCMK - Offline Classic Management Kits	10
OCSE - Offline Classic Scan Door Escutcheon (Spindle kits not inc)	11
OCIPRSE - Offline Classic IP Rated Scan Door Escutcheon (Spindle kits not Inc)	13
OCIPRDE - Offline Classic IP Rated DIN Door Escutcheon (Inc 44-50mm spindle kit)	15
OCWR - Offline Classic Wall Readers	16
OUCMK - Offline Update on Card Management Kits	19
OUCME - Offline Update on Card Management Equipment	20
WMK - Wireless Management kits	23
WMK - Wireless Management kits	24
WSDE - Wireless Scan Door Escutcheon (Spindle kits not inc)	25
WIPE - Wireless IP Rated Scan Door Escutcheon (Spindle kits not inc)	26
WWR - Wireless Wall Readers	27
WWH - Wireless Hub	29
340 - Connect 340 lockcase	32
8761 - 8761 nightlatch without lock-back	34
765 - 765 sash lock	35
D452 - D452 latch	37
D4522 - D4522 escape nightlatch, non-deadlocking	38
D453 - D453 bathroom lock	39
SC - Smartair Cards	41
SCP - Smartair Cover Plates	42
SES - Smartair Energy Savers	43
SS-SPARES - Smartair Spares	44
SS-SPINDLES - Smartair Spares Spindles	45
SSC - Smartair Services Charges	46
AA-CDTPD - ASSA CLIQ® Remote Desktop Programming Device	50
AA-CCK - ASSA CLIQ® Remote C-Key	51
CRPD - ASSA CLIQ® Remote Mobile Programming Device	52
CTC - ASSA CLIQ® Remote Managed Services	53
CWML - ASSA CLIQ® Remote Software as a Service (SaaS)	54
CWPD - ASSA CLIQ® Remote Wall Programming Device	55
Euro Cylinders - Euro Cylinders	58
Other Cylinders - Other Cylinders	59
Padlocks - Padlocks	61
Special Equipment and Extras - Special Equipment and Extras	62
Camlocks - Camlocks	64
Furniture Locks - Furniture Locks	65
Keys - Keys	67
Programming Devices - Programming Devices	69
Accessories - Accessories	71

Table of Contents

Software Costs per Master Key System - Licence Fee - Software Costs per Master Key System - Licence Fee	73
Yearly Maintenance Fee - Yearly Maintenance Fee	74
Yearly Hosting Service Fee - Yearly Hosting Service Fee	75
CLIQ CONNECT Service Fee - CLIQ CONNECT Service Fee	76
24/7 Critical Support Service Fee - 24/7 Critical Support Service Fee	77
Euro Cylinders - Euro Cylinders	80
Other Cylinders - Other Cylinders	81
Padlocks - Padlocks	82
Special Equipment and Extras - Special Equipment and Extras	83
Camlocks - Camlocks	85
Furniture Locks - Furniture Locks	86
Keys - Keys	88
Programming Devices - Programming Devices	90
System Cards - System Cards	92
Hosting and Maintenance - Hosting and Maintenance	93

Access Control

ASSA ABLOY

Where there is a requirement for restricted access to authorised persons only, ASSA ABLOY can provide solutions ranging from standalone single door controllers to complex networked systems.





SMARTair® is a flexible, end to end, battery operated access control solution, which operates offline and wirelessly online, without the need for cabling.



Standalone

ASSA ABLOY

Application:

Ideal for Transit, Office or meeting room doors (Specific model for panic exit doors & special kits for glass doors available)

Specification:

All Stand Alone Man Kits are supplied with SMARTAir Programming card, 25 Mifare 1K User Cards / Shadow and an Emergency Open Unit.

For a complete Standalone system you will require a Stand Alone Man Kit, lockcase and SMARTAir Stand Alone Door Escutcheon / Wall Reader. SMARTAir Stand Alone is suitable for small sites up to 3 Readers and 25 Users.

Licences to Upgrade from 10 or more doors are available upon request. Licences are only required when increasing doors from the initially purchased Management Kit.



Variants:

Code	Description
10432300100	SA TS10 S/ALONE MAN KIT WITH SHADOW :SNACKITSTASHADW

SADDE

Stand Alone DIN Door Escutcheon (Inc 44-50mm spindle kit)

Application:

Ideal for Transit, Office or meeting room doors (Specific model for panic exit doors & special kits for glass doors available)

Specification:

Door profiles - DIN, suitable for wooden, narrow or glass doors

Verticals - All industries, Special antibacterial surface for healthcare applications

Traffic Volume - Medium to high

Exterior usage - Yes (IP55), Up to 85% humidity without condensation, Temperature outside (-20°C and +70°C), inside (0°C and 50°C)

Hardware compatibility and installation - High retrofit (compatible with most mortise locks), Drilling, no cabling

Power Supply - Battery (up to 70.000 Cycles max. 3 years standby)

System Management - Stand-Alone



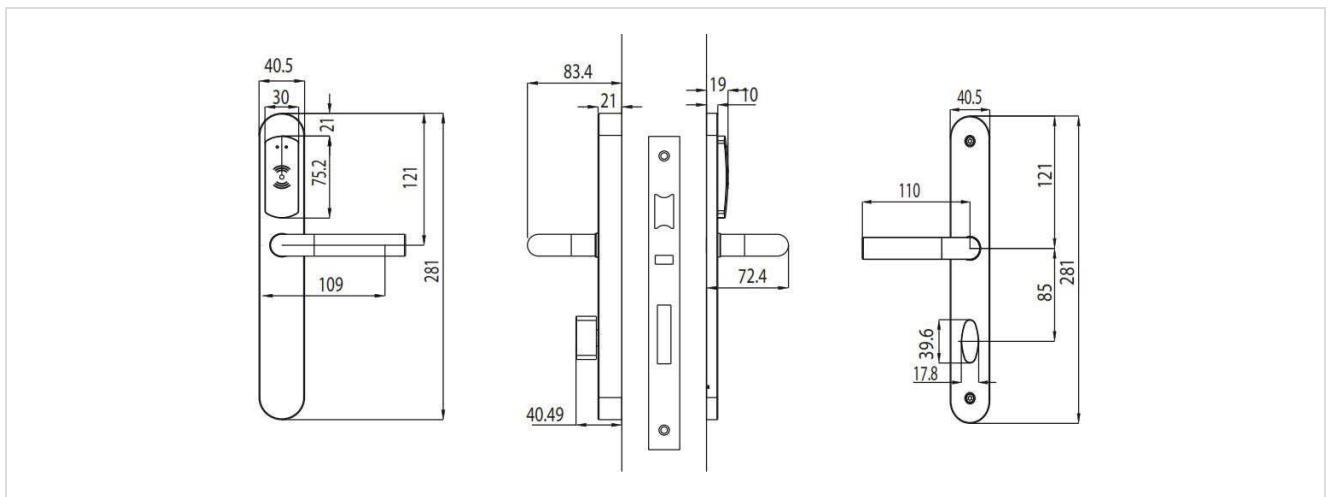
Standards:

CE, EN1634 (Fire), DIN 18273

Finish:

Stainless Steel

Technical Design:



Variants:

Code	Description
10432200031	SA L1S DIN S/A MF D/E :SNAC12SL1S008SI (Suitable for 72mm/8mm2 Din locks)

Standalone

SAWR

Stand Alone Wall Readers

ASSA ABLOY

Variants:

Code	Description
10521800164	SA WALL RDR S/A MF (IP55) :SNAR2PUSB

Standalone

SADE

Smartair Door Escutcheon

ASSA ABLOY

Offline

ASSA ABLOY

Application:

Ideal for Transit, Office or meeting room doors (Specific model for panic exit doors & special kits for glass doors available)

Specification:

All MANAGEMENT KITS are supplied as follows:-
SMARTair Software. Licence for the number of doors,
Authorisation Key, Encoder, Programming Device, 50Mifare
1K user cards and USB to RS232 Adapter.

Licences to Upgrade from 10 or more doors are available upon request. Licences are only required when increasing doors from the initially purchased Management Kit.



Variants:

Code	Description
10429700000	SA OFFLINE MANAGEMENT KIT MF - 10 DR :SNCKITOFF10
10429700100	SA OFFLINE MANAGEMENT KIT MF - 30 DR :SNCKITOFF30
10429600000	SA OFFLINE MANAGEMENT KIT MF - 75 DR :SNCKITOFF75
10429600100	SA OFFLINE MANAGEMENT KIT MF - UNLTD :SNCKITOFF

OCSDE

Offline Classic Scan Door Escutcheon (Spindle kits not inc)

Application:

Ideal for Transit, Office or meeting room doors (Specific model for panic exit doors & special kits for glass doors available)

Specification:

Door profiles - Scandinavian, suitable for wooden, narrow or glass doors

Verticals - All industries, Special antibacterial surface for healthcare applications

Traffic Volume - Medium to high

Exterior usage - Yes (IP55), Up to 85% humidity without condensation, Temperature outside (-20°C and +70°C), inside (0°C and 50°C)

Hardware compatibility and installation - High retrofit (compatible with most mortise locks), Drilling, no cabling

Power Supply - Battery (up to 70.000 Cyclesmax. 3 years standby)

System Management - Offline



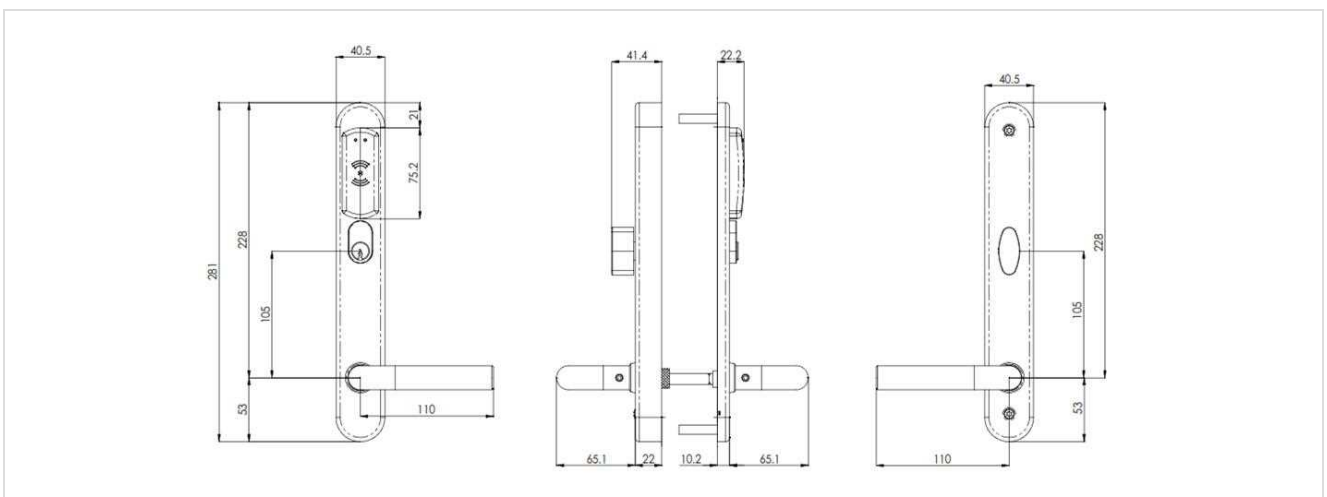
Standards:

CE, EN1634 (Fire), DIN 18273

Finish:

Stainless Steel

Technical Design:



OCSDE

Offline Classic Scan Door Escutcheon (Spindle kits not inc)

Variants:

Code	Description
10428800031	SA L1S SCAN O/L - UOC MF D/E :SNCC52SL1S058SI
10428900031	SA L2V SCAN O/L - UOC MF D/E :SNCC52SL2V058SI
10429000031	SA L3V SCAN O/L - UOC MF D/E :SNCC52SL3V058SI
10429100031	SA L5S SCAN O/L - UOC MF D/E :SNCC52SL5S058SI
10429200031	SA L8V SCAN O/L - UOC MF D/E :SNCC52SL8V058SI

Offline Classic IP Rated Scan Door Escutcheon (Spindle kits not Inc)

Application:

Ideal for Transit, Office or meeting room doors (Specific model for panic exit doors & special kits for glass doors available)

Specification:

Door profiles - Scandinavian, suitable for wooden, narrow or glass doors

Verticals - All industries, Special antibacterial surface for healthcare applications

Traffic Volume - Medium to high

Exterior usage - Yes (IP55), Up to 85% humidity without condensation, Temperature outside (-20°C and +70°C), inside (0°C and 50°C)

Hardware compatibility and installation - High retrofit (compatible with most mortise locks), Drilling, no cabling

Power Supply - Battery (up to 70.000 Cyclesmax. 3 years standby)

System Management - Offline



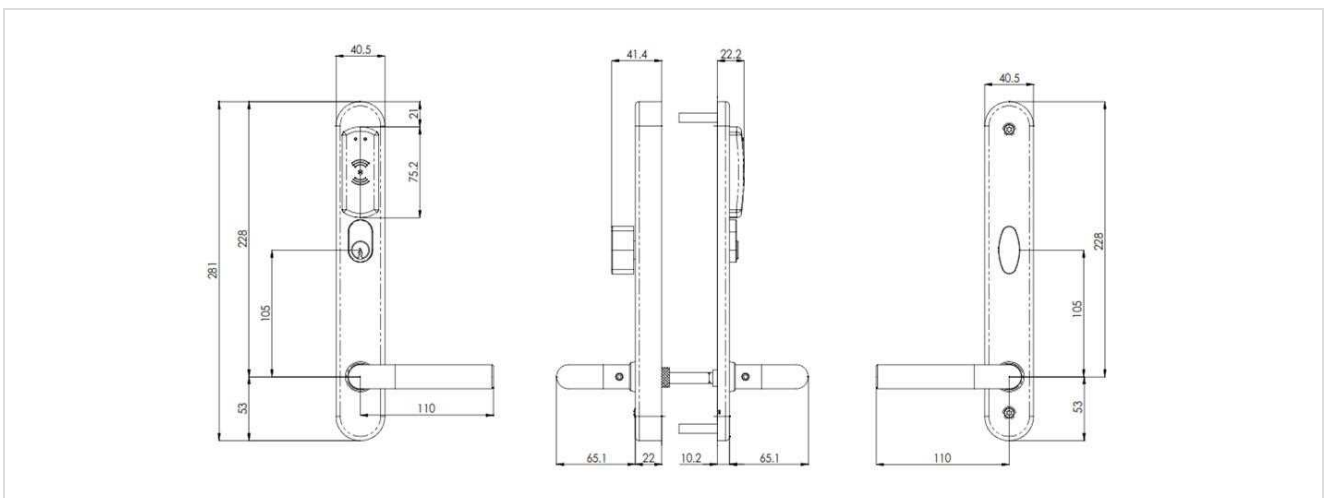
Standards:

CE, EN1634 (Fire), DIN 18273

Finish:

Stainless Steel

Technical Design:



Offline Classic IP Rated Scan Door Escutcheon (Spindle kits not Inc)

Variants:

Code	Description
10428800131	SA L1S SCAN O/L - UOC MF D/E (IP55) :SNCC52XL1S058SI
10428900131	SA L2V SCAN O/L - UOC MF D/E (IP55) :SNCC52XL2V058SI
10429100131	SA L5S SCAN O/L - UOC MF DE (IP55) :SNCC52XL5S058SI
10429200131	SA L8V SCAN O/L - UOC MF D/E (IP55) :SNCC52XL8V058SI

Offline Classic IP Rated DIN Door Escutcheon (Inc 44-50mm spindle kit)

Application:

Ideal for Transit, Office or meeting room doors (Specific model for panic exit doors & special kits for glass doors available)

Specification:

Door profiles - DIN, suitable for wooden, narrow or glass doors

Verticals - All industries, Special antibacterial surface for healthcare applications

Traffic Volume - Medium to high

Exterior usage - Yes (IP55), Up to 85% humidity without condensation, Temperature outside (-20°C and +70°C), inside (0°C and 50°C)

Hardware compatibility and installation - High retrofit (compatible with most mortise locks), Drilling, no cabling

Power Supply - Battery (up to 70.000 Cyclesmax. 3 years standby)

System Management - Offline



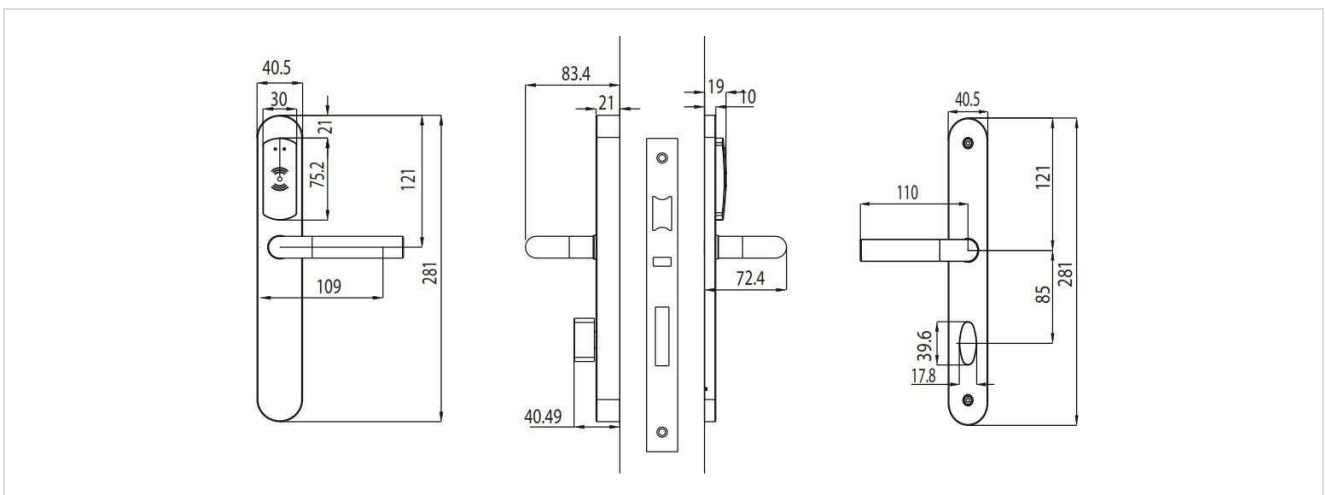
Standards:

CE, EN1634 (Fire), DIN 18273

Finish:

Stainless Steel

Technical Design:



Variants:

Code	Description
10459800131	SA L2V DIN O/L - UOC MF D/E (IP55) :SNCC12XL2V728SI (Suitable for 72mm/8mm2 Din locks)

Application:

The wall-mounted reader is to be used as part of access control systems for doors in which the locking or blocking element is an automatism: Automatic doors, a car park barrier, doors with electric or magnetic strike plates, etc.

It is a proximity card reader which incorporates a relay and a control unit which manages both the reader and the relay. Via the relay, the control unit will decide whether or not to activate the door's locking element, depending on whether the user who is attempting to open the door has authorised access or not.



Specification:

- **Contactless** - Reading cards/credentials via proximity
- **Autonomous operation** - The wall mounted reader makes decisions autonomously, without any type of external and/or centralised control unit
- **Read and write functionality** - Updating user accesses via their own cards/credentials, the events are stored in both the wall-mounted reader and in the users' credentials
- **Low maintenance** - The lack of contact between the chip and the reader provides greater durability and low maintenance costs

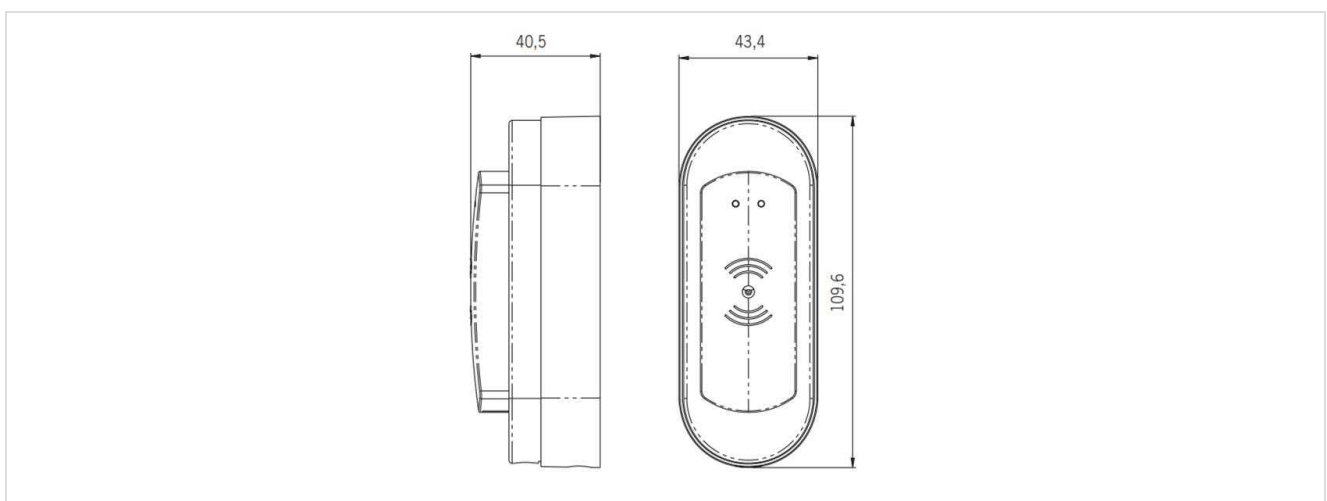
Standards:

CE Marked

Finish:

Stainless Steel

Technical Design:



Variants:

Code	Description
10429300131	SA WALL RDR O/L - UOC MF (IP55) :SNCR2PUSSE
10432400131	SA N/P WALL RDR O/L -UOC MF (IP55) :SNCR2PDSSI

Update on card

ASSA ABLOY

Update on card

OUCMK

Offline Update on Card Management Kits

ASSA ABLOY

Application:

Ideal for Transit, Office or meeting room doors (Specific model for panic exit doors & special kits for glass doors available)

Specification:

All MANAGEMENT KITS are supplied as follows:-
SMARTair Software. Licence for the number of doors, Authorisation Key, Encoder, Programming Device, 50Mifare 1K user cards and USB to RS232 Adapter.

Licences to Upgrade from 10 or more doors are available upon request. Licences are only required when increasing doors from the initially purchased Management Kit.



Variants:

Code	Description
10429900000	SA UOC MANAGEMENT KIT MF- 10 DR :SNCKITUOC10
10430000000	SA UOC MANAGEMENT KIT MF - 75 DR :SNCKITUOC75

Application:

- Registering cards without the need to go to the lock with the portable programmer or passing a new card through the lock
- Collecting events recorded on the locks via the user's card: control of their activities, authorised or unauthorised access attempts, etc.
- Control of the battery status of the locks without the need to test the lock
- Registering users without the need to reprogram the lock
- Enables different credentials formats to be used
- Offers the possibility of multi-application of pre-payment, loyalty, POS programs etc.



Specification:

Standards:

Reader module

- Read/write contactless chip identification technology RFID 13.56MHz ISO14443A Phillips MIFARE CLASSIC 1K and 4K and ULTRALIGHT
- Reading distance: 10mm with standard credentials
- Compatible with mobile phones NFC
- Red and green warning LED

Control Unit

- Non-volatile memory
- Operating modes
 - Standard: Default operating mode, credentials must be moved close by
 - First user: Lock in passageway after first access of an authorised user

Connections

- Connector from the power cable to the power supply
- Ethernet TCP/IP connector
- PS/2 connector
- VGA connector for the screen
- Connection via relay output and power supply to electromechanical lock (electrical door locking)
- Connection to back-up battery in the event of a power supply failure
- Power cable included with the following characteristics:
 - Input: 100-240Vac 50/60Hz, 1A
 - Output: 7.5V - 1.2A

Operating conditions

- Humidity: Up to 85% without condensation (Interior drainage in the reader)
- Temperature between -10°C and 80°C
- IP54

CE Marked

Finish:

Black and Stainless Steel

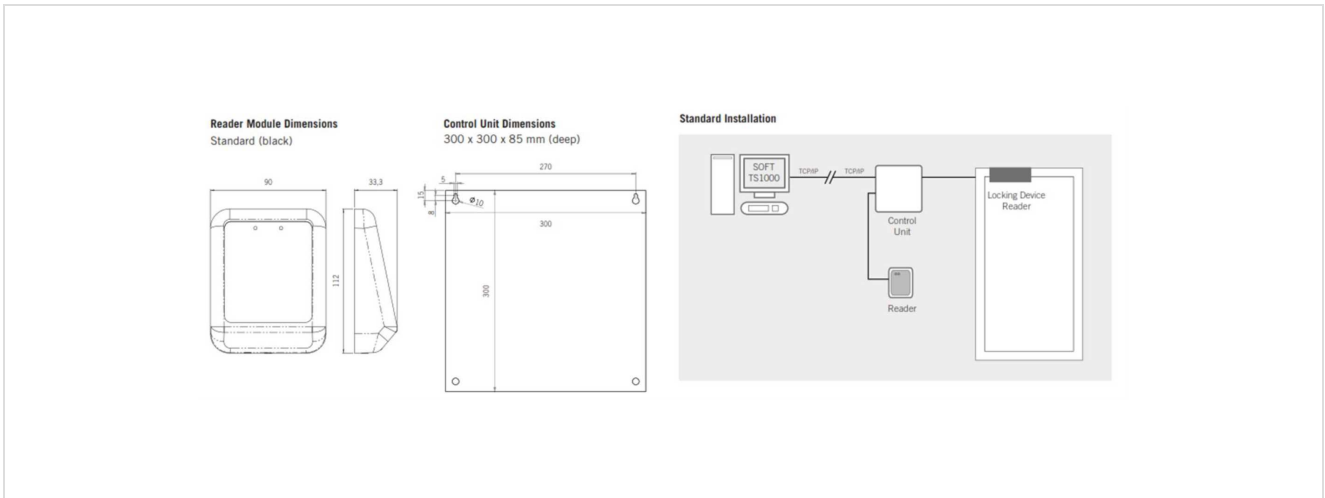
Update on card

OUCME

Offline Update on Card Management Equipment

ASSA ABLOY

Technical Design:



Variants:

Code	Description
10429400000	SA UOC UPDATER WITH 1 W/RDR MF :STCR2PUPDATER
10464400000	SA MINI UPDATER W/RDR MF :STCR2PUPDATMINI

Wireless online

ASSA ABLOY

Application:

Ideal for Transit, Office or meeting room doors (Specific model for panic exit doors & special kits for glass doors available)

Specification:

All MANAGEMENT KITS are supplied as follows:-
SMARTair Software. Licence for the number of doors,
Authorisation Key, Encoder, Programming Device, 50Mifare
1K user cards and USB to RS232 Adapter.

Licences to Upgrade from 10 or more doors are available upon request. Licences are only required when increasing doors from the initially purchased Management Kit.



Variants:

Code	Description
10462400000	SA WIRELESS MANAGEMENT KIT MF - 10 DR :SNCKITWIR10
10462700000	SA WIRELESS MANAGEMENT KIT MF - 75 DR :SNCKITWUP75
10462800000	SA WIRELESS MANAGMENT KIT MF - UNLTD :SNCKITWUP

Application:

Ideal for Transit, Office or meeting room doors (Specific model for panic exit doors & special kits for glass doors available)

Specification:

All MANAGEMENT KITS are supplied as follows:-
SMARTair Software. Licence for the number of doors,
Authorisation Key, Encoder, Programming Device, 50Mifare
1K user cards and USB to RS232 Adapter.

Licences to Upgrade from 10 or more doors are available upon request. Licences are only required when increasing doors from the initially purchased Management Kit.



Variants:

Code	Description
10462400000	SA WIRELESS MANAGEMENT KIT MF - 10 DR :SNCKITWIR10
10462700000	SA WIRELESS MANAGEMENT KIT MF - 75 DR :SNCKITWUP75
10462800000	SA WIRELESS MANAGMENT KIT MF - UNLTD :SNCKITWUP

Application:

Ideal for Transit, Office or meeting room doors (Specific model for panic exit doors & special kits for glass doors available)

Specification:

Door profiles - Scandinavian, suitable for wooden, narrow or glass doors

Verticals - All industries, Special antibacterial surface for healthcare applications

Traffic Volume - Medium to high

Exterior usage - Yes (IP55), Up to 85% humidity without condensation, Temperature outside (-20°C and +70°C), inside (0°C and 50°C)

Hardware compatibility and installation - High retrofit (compatible with most mortise locks), Drilling, no cabling

Power Supply - Battery (up to 70.000 Cyclesmax. 3 years standby)

System Management - Wireless



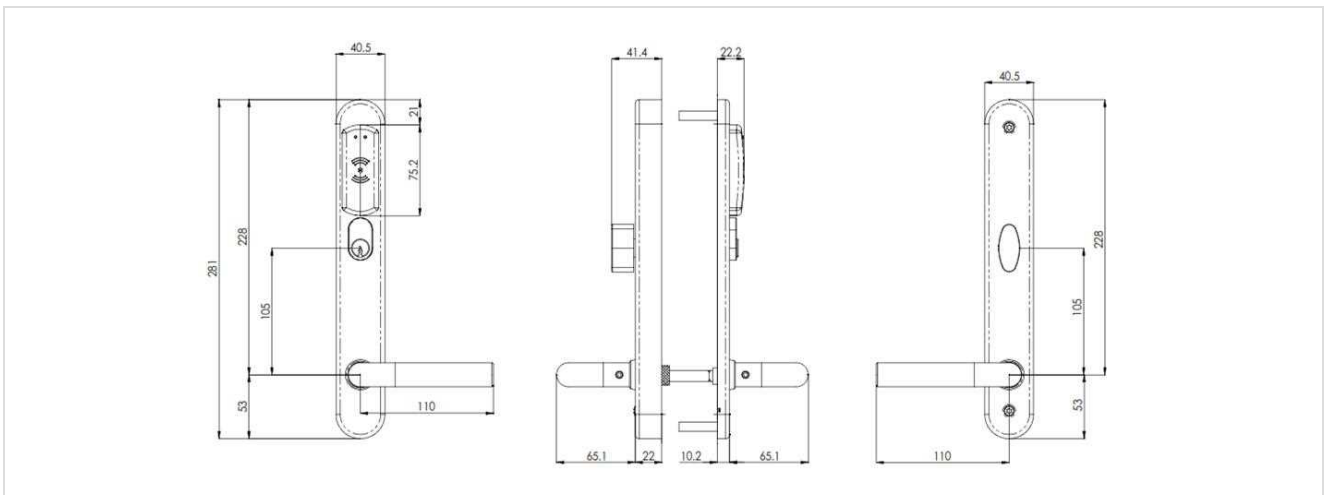
Standards:

CE, EN1634 (Fire), DIN 18273

Finish:

Stainless Steel

Technical Design:



Variants:

Code	Description
10461900031	SA L1S SCAN W/L MF D/E :SNWC52SL1S058SI
10462000031	SA L2V SCAN W/L MF D/E :SNWC52SL2V058SI
10462200031	SA L5S SCAN W/L MF D/E :SNWC52SL5S058SI
10462300031	SA L8V SCAN W/L MF D/E :SNWC52SL8V058SI

WIPRSDE

Wireless IP Rated Scan Door Escutcheon (Spindle kits not inc)

Application:

Ideal for Transit, Office or meeting room doors (Specific model for panic exit doors & special kits for glass doors available)

Specification:

Door profiles - Scandinavian, suitable for wooden, narrow or glass doors

Verticals - All industries, Special antibacterial surface for healthcare applications

Traffic Volume - Medium to high

Exterior usage - Yes (IP55), Up to 85% humidity without condensation, Temperature outside (-20°C and +70°C), inside (0°C and 50°C)

Hardware compatibility and installation - High retrofit (compatible with most mortise locks), Drilling, no cabling

Power Supply - Battery (up to 70.000 Cyclesmax. 3 years standby)

System Management - Wireless



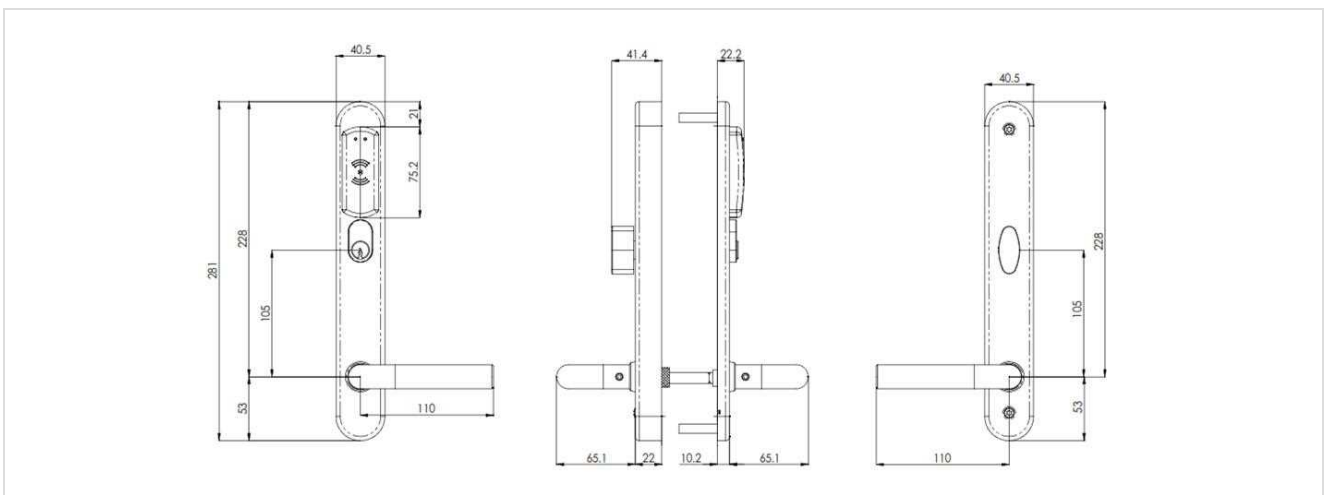
Standards:

CE, EN1634 (Fire), DIN 18273

Finish:

Stainless Steel

Technical Design:



Variants:

Code	Description
10463000131	SA L2V DIN W/L MF D/E (IP55) :SNWC12XL2V728SI

Application:

The wall-mounted reader is to be used as part of access control systems for doors in which the locking or blocking element is an automatism: Automatic doors, a car park barrier, doors with electric or magnetic strike plates, etc.

It is a proximity card reader which incorporates a relay and a control unit which manages both the reader and the relay. Via the relay, the control unit will decide whether or not to activate the door's locking element, depending on whether the user who is attempting to open the door has authorised access or not.



Specification:

Standards:

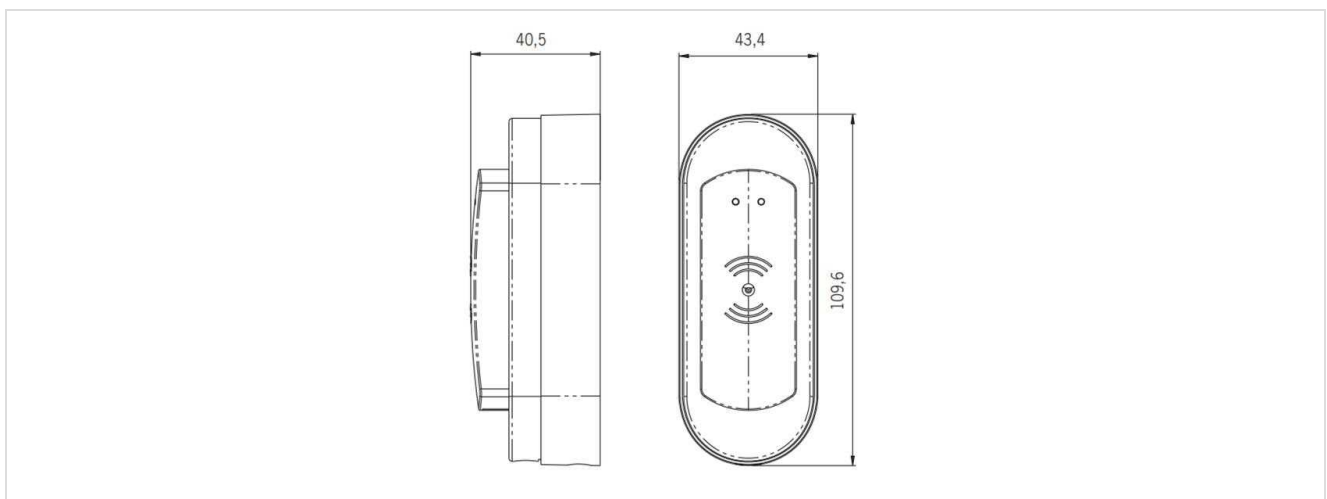
CE Marked

- **Contactless** - Reading cards/credentials via proximity
- **Autonomous operation** - The wall mounted reader makes decisions autonomously, without any type of external and/or centralised control unit
- **Read and write functionality** - Updating user accesses via their own cards/credentials, the events are stored in both the wall-mounted reader and in the users' credentials
- **Low maintenance** - The lack of contact between the chip and the reader provides greater durability and low maintenance costs

Finish:

Stainless Steel

Technical Design:



Wireless online

WWR

Wireless Wall Readers

Variants:

Code	Description
10487100131	SA WALL RDR WL WITH KEYPAD MF (IP55) :SNWR2KUSSB
10509600064	SA WALL RDR WL MF (IP55) :SNWR2PUSSB

Application:

The SMARTair Wireless HUB receives information about changes and updates from the SMARTair software and transmits it to the SMARTair Wireless escutcheons, wall readers and knob cylinders.

Audit trail details are sent in the reverse direction, from the SMARTair escutcheons, wall reader and knob cylinders to the software.

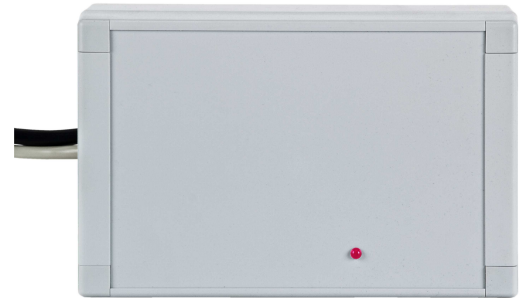
Function

The SMARTair Wireless HUB is the link between SMARTair Software (TS1000) and the RF module in the SMARTair Wireless escutcheons, wall readers and knob cylinders.

Features

Up to 100 HUBs in one system

Up to 30 escutcheons/wall readers can communicate with one hub



Specification:

RF Module frequency: 868 MHz or 915 MHz

TCP/IP connection to the PC network. Default details:

IP address - 192.168.1.10; Subnet mask - 255.255.255.0;

Gateway - 192.168.1.0

Operating temperature: from 0°C to 60°C

Humidity: 10%-90%, no condensing

Power: 12 VDC or 230/110 VAC

Variants:

Code	Description
1046250000	SA WIRELESS HUB :STWIRELESSHUB2

ASSA Connect

ASSA ABLOY

Application:

Sash lock for Smartair. Hardened steel hookbolt thrown 23.5mm by 90° turn of key or thumbturn. Latchbolt locks automatically when door is closed.

Specification:

Sash lock for Smartair

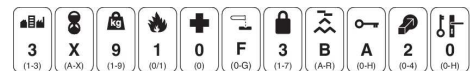
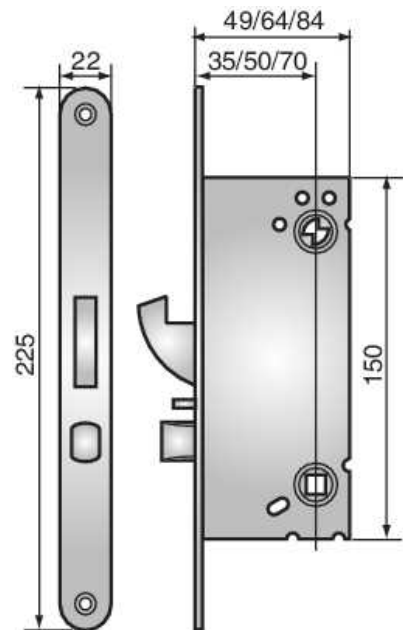
Hardened steel hookbolt thrown 23.5mm by 90° turn of key or thumbturn. Latchbolt deadlocks automatically when door is closed.

Suitable for variations L5S, L8V, L3, V.

Latchbolt is reversible without opening lockcase. Available with 35mm, 50mm or 70mm backset.

Finish:

The 340 has been tested to EN 12209 as shown.



Variants:

Code	Description
LS36048816357	CONNECT 340/50 *SMARTAIR ONLY* WITH STK
LS36175316357	CONNECT 340/70 *SMARTAIR ONLY* WITH STK
36048816357	CONNECT 340/50 *SMARTAIR ONLY* (NO STK)
36175216357	CONNECT 340/35 *SMARTAIR ONLY* (NO STK)
36175316357	CONNECT 340/70 *SMARTAIR ONLY* (NO STK)
DC340A+DA SS	DRCLSR R&P ADJ 2-6 BC WITH DELAYED ACTION SS
DC340TE	DC340TE R&P CLOSER SIZE 2-6 G460 EL/MECH H/O RAIL

ASSA Modular

ASSA ABLOY

8761

8761 nightlatch without lock-back

Application:

Locks for exit doors offering a high degree of security, but with unrestricted exit in an emergency. Ideally suited for hotels, factories, hospitals, schools, offices etc. Also suitable for use with electric strikes.

Can be included as part of a total security system, including mechanical and electrical devices. Striking plate is included. Cylinder and accessories bolt through lockcase for added strength. Key can only be removed in locked (or locked-back) position.

Bolt reversible without opening lockcase.

For finishes and dimensions see Lockcases Information appendix. For accessory configurations see Variations insert.

When ordering please specify door thickness.

Specification:

Bolt deadlocks automatically when door is closed.

Strong spring for use with lever handles.

Available with either 50mm or 70mm backset.

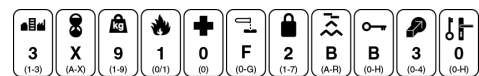
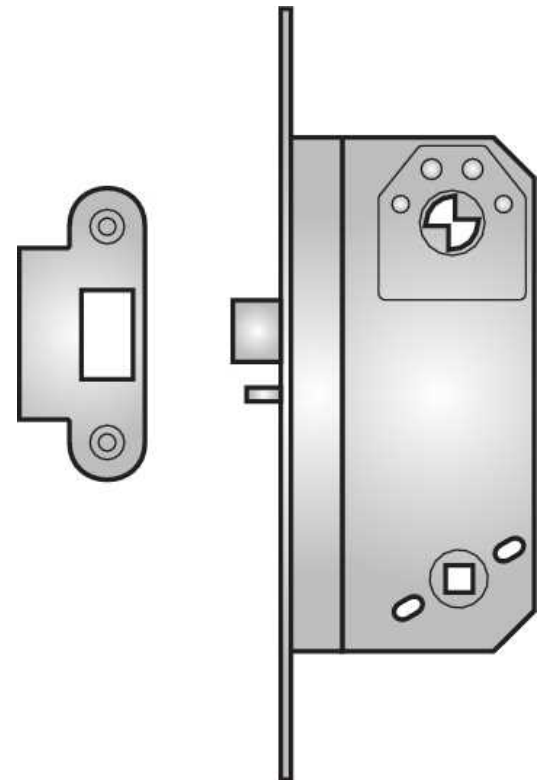
Finish:

Product has been successfully type-tested for conformity to BS EN 12209.

Regular audit testing is undertaken.

Variants:

Code	Description
46917762320	8761 50MM LOCKSET
46917764313	8761 50MM LOCKSET ME MICROSWITCH
80305962320	8761 70MM LOCKSET
46946010813	8761 FACEPLATE ASA



765

765 sash lock

Application:

Locks for shops and entrance doors to private houses, industrial premises, offices or for any situation where a key operated deadlock is required plus a latch and lever handles.

Available with single cylinder and thumbturn, or alternatively with double cylinders or single cylinder only.

Supplied as standard with striking plate. Cylinder and accessories bolt through lockcase for added strength.

Key can be removed in locked or unlocked position.

For finishes and dimensions see Lockcases Information appendix.

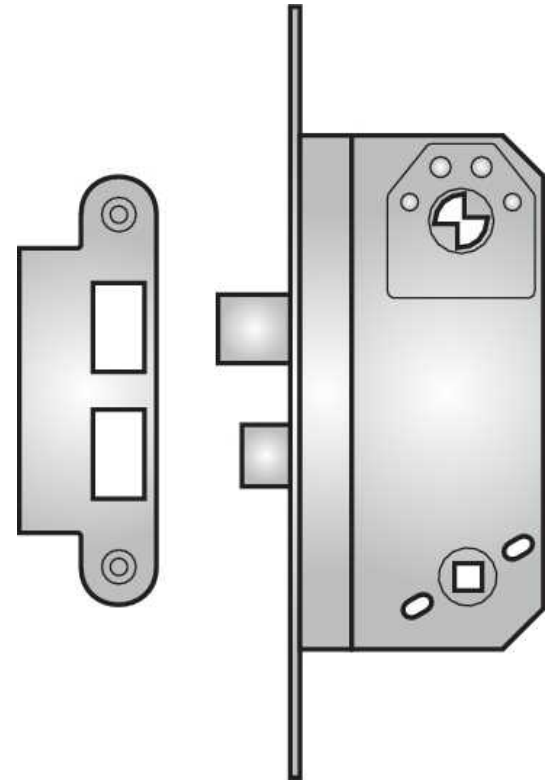
When ordering please specify hand and door thickness.

Specification:

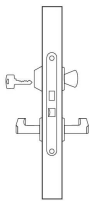
Hardened steel deadbolt thrown 21mm by 90° turn of key or thumbturn.

Latchbolt reversible without opening lockcase.

Available with either 50mm or 70mm backset.



Exterior
Key operates deadbolt and latchbolt.
Lever handle retracts latchbolt.

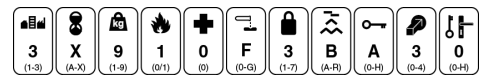


Interior
Thumbturn operates deadbolt and latchbolt.
Lever handle retracts latchbolt.

Standards:

Product has been successfully type-tested for conformity to BS EN 12209.

Regular audit testing is undertaken.



Variants:

Code	Description
46910662320	765 50MM LOCKSET
80307062320	765 70MM LOCKSET

ASSA D450

ASSA ABLOY

D452

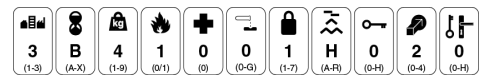
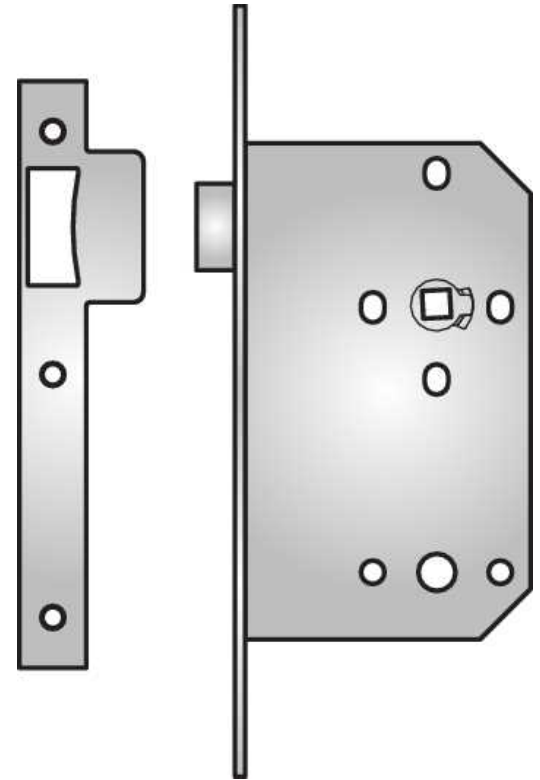
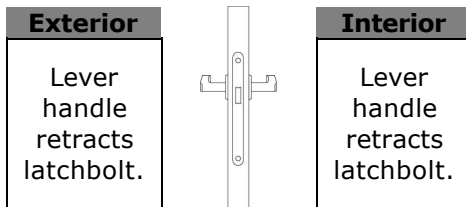
D452 latch

Application:

Latches are suitable for doors which do not need to be locked
 Supplied as standard with striking plate. Both square and round faceplates are available.
 For finishes and dimensions see Lockcases Information appendix.
 When ordering please specify door thickness.

Specification:

Latchbolt operated by lever handles. Latchbolt reversible without opening lockcase.
 Usable with DIN Severe Duty rated handles.
 Available with 60mm backset.



Finish:

Product has been successfully type-tested for conformity to BS EN 12209.
 Regular audit testing is undertaken.

Variants:

Code	Description
10209810331	D452 XR LATCH LOCK RND F/PLATE 60MM B/SE

D4522

D4522 escape nightlatch, non-deadlocking

Application:

Escape nightlatches are suitable for applications where single action escape is needed. Ideal for perimeter doors, storerooms, offices, etc.

Available with single cylinder only. Uses Euro profile cylinders.

Supplied as standard with striking plate. Both square and round faceplates are available.

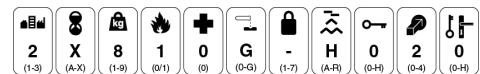
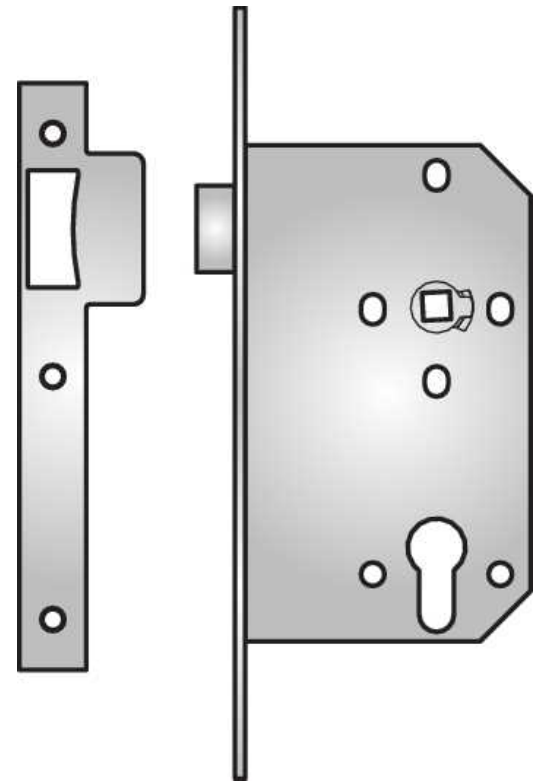
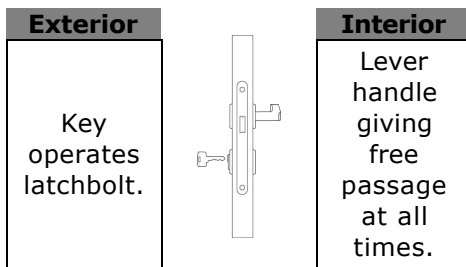
Key can be removed in locked position only.

For finishes and dimensions see Lockcases Information appendix.

When ordering please specify door thickness.

Specification:

Bolt locks when door is closed no automatic deadlocking. Bolt reversible without opening lockcase. Available with 60mm backset.



Finish:

Product has been successfully type-tested for conformity to BS EN 12209.

Regular audit testing is undertaken.

Product has also been successfully type-tested for conformity to BS EN 179 in conjunction with an ASSA Aluminium 1325 lever handle. Regular audit testing is undertaken. Classification: 3 7 6 B 1 3 5 2 A B/D.

Variants:

Code	Description
10209811331	D4522 XR ESCAPE LATCH RND F/PLATE 60MM

D453

D453 bathroom lock

Application:

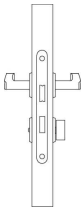
Bathroom Locks are suitable for bathroom and toilet doors. May be fitted with standard DIN dimensioned door furniture. 8mm handle and turn followers. Supplied as standard with striking plate. Both square and round faceplates are available. For finishes and dimensions see Lockcases Information appendix. When ordering please specify door thickness.

Specification:

Deadbolt operated by internal thumbturn. Latchbolt reversible without opening lockcase. Available with 60mm backset.

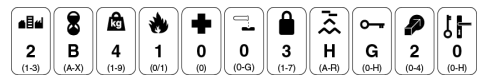
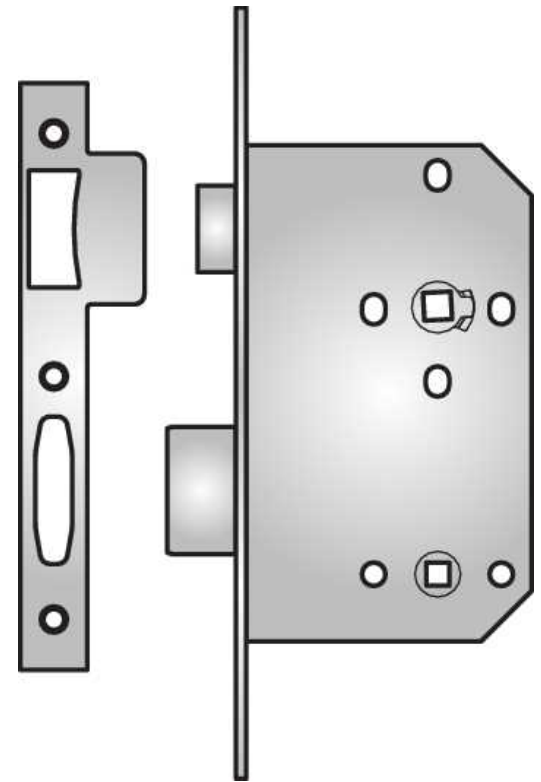
Exterior

Indicator rose with emergency device. Lever handle retracts latchbolt only.



Interior

Turn operates deadbolt and indicator. Lever handle retracts latchbolt only.



Finish:

Product has been successfully type-tested for conformity to BS EN 12209. Regular audit testing is undertaken.

Variants:

Code	Description
10209710331	D453 XR BATHROOM RND F/PLATE 60MM B/SET

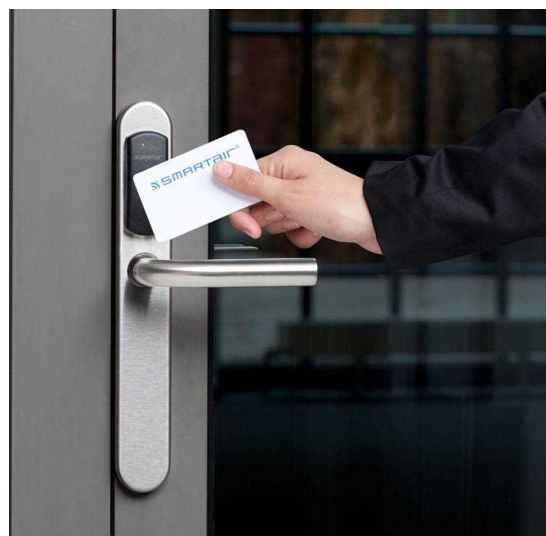
Application:

To be used with SMARTair escutcheons.

Specification:

Mifare Radio Frequency Identification contactless chip technology offers:

- Higher capacity of memory and data protection
- High communications speed and encrypted security
- Multiple application from one card allowing point of sale card debiting, card vending and loyalty card operation
- Able to integrate with other technologies like dual magnetic strip/proximity cards, proximity and contact chip cards
- High resistance to outdoor conditions, water and dust
- Meets many ISO standards including 14443 Type A and B and 15683 Proximity
- Available as 1K, 4K memory sized cards as standard



Variants:

Code	Description
10430500200	SA MIFARE 4K CARD 13.56MHZ
10430600000	SA MIFARE 1K CARD 13.56MHZ

Application:

To cover up existing door preparations.

Specification:

Available for both Scandinavian and DIN locks.

Finish:

Stainless Steel



Variants:

Code	Description
10430700300	SA COVERPLATE 78MM :STCC1COVER78RI
10431500000	SA COVERPLATE 60MM SCAN PAIR :SNCC5COVER60RI

Application:

Ideal for meeting, class or guest rooms to save power -
Device controls and manages electrical installations e.g. light bulbs via inserting the card

Specification:

Verticals: All industries

Traffic volume: High retrofit

Exterior usage: No

Hardware compatibility and installation: To be combined with electromechanical devices, Cabling

Power supply: Cabled 100/200 VAC, 10% tolerance. 50/60Hz

System management: Stand-Alone, Offline

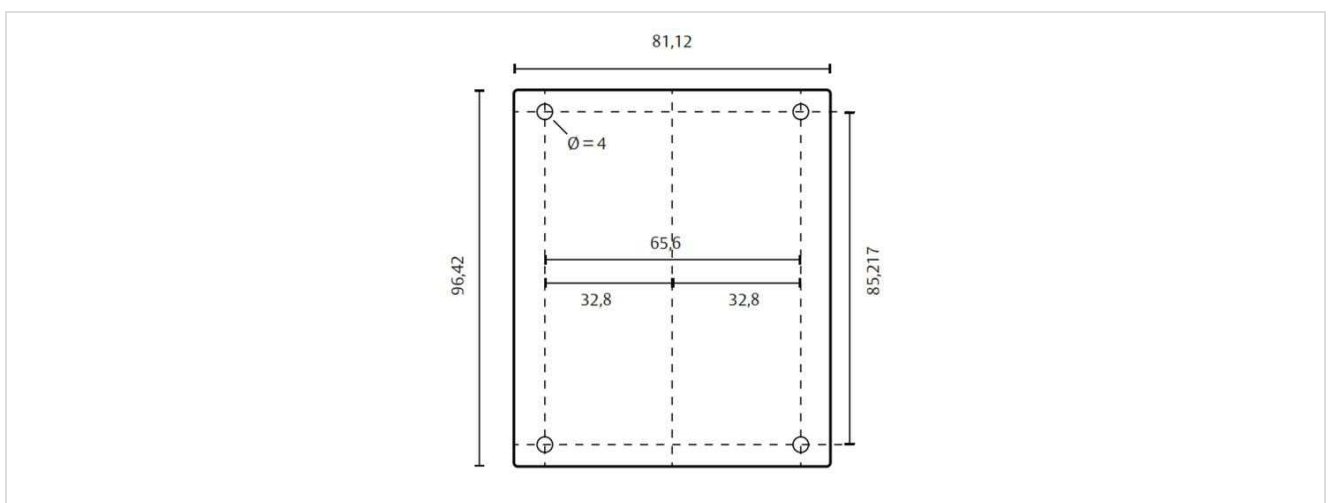
- **Energy savings:** Guarantees a reduction in the levels of electricity consumption when the zone managed is in use and ensures that there is no electrical consumption when it is not in use
- **Comfort:** LED light to facilitate the insertion of the card in the dark. On leaving, it automatically disconnects the electricity
- **Timer:** It has a courtesy timer from when the user removes the card (also available without timer)
- **Intelligent:** It operates with the TS1000 system cards



Standards:

CE Marked

Technical Design:



Variants:

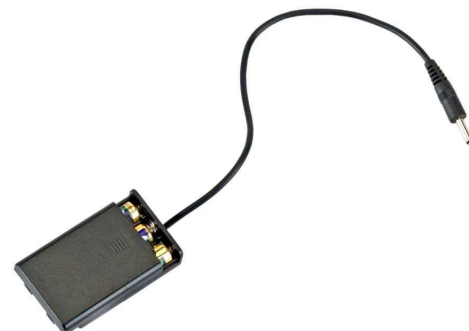
Code	Description
10431400100	SA INT ENERGY SAVER MF WHITE :STHDESC22TSB

Application:

SMARTair spares consist of portable programmers, encoders, emergency opener, etc

Specification:

For further information on the SMARTair Spares available please contact your local ASSA stockiest or ASSA customer services on 0845 070 6713



Finish:

Various

Standards:

Various

Variants:

Code	Description
10430300000	SA PORTABLE PROGRAMMER :STCPCC
10430400000	SA ENCODER :STCED2UK
10432300400	SA EMERGENCY OPEN KIT :STACKITEMERG
10442800017	SA PORTABLE PROGRAMMER CABLE : 410336024
10431200000	SA D SENA HANDLE(2) :41036348
10498400031	SA READER PART THUMBTURN - STCATHUMBTU

Application:

To be used with SMARTair door escutcheons.

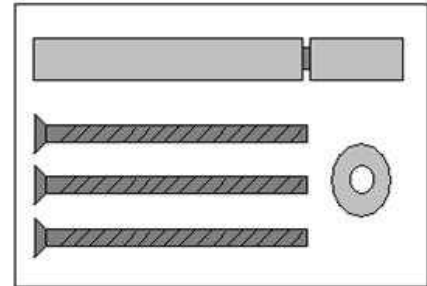
Specification:

The Spindle Kit includes the spindle, one threaded ring and three screws.

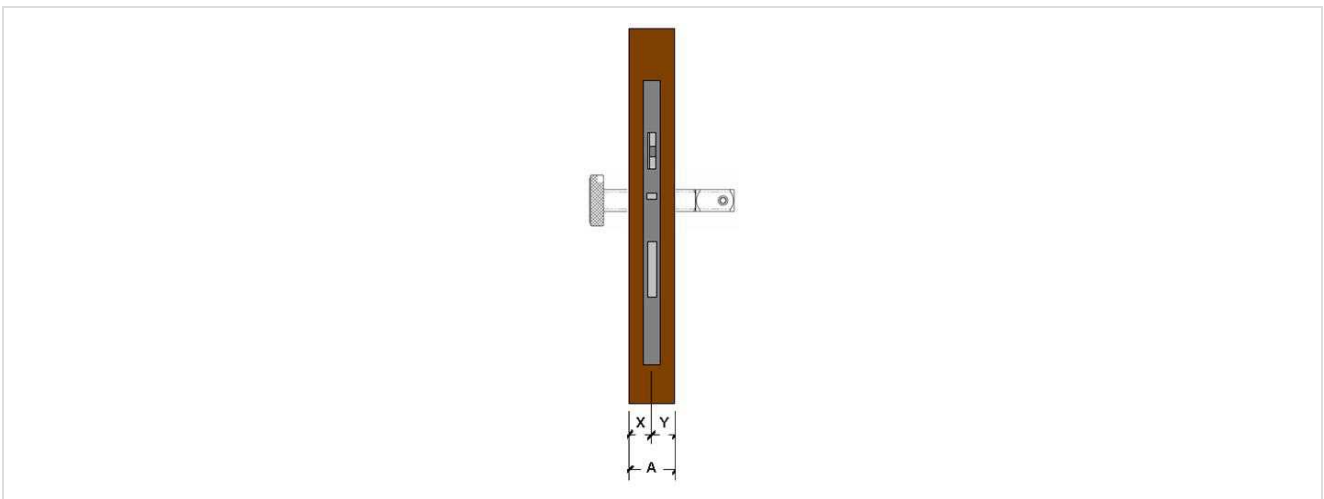
The length of the spindle is related to the door width (A) and centre distances (X,Y) of the mortise lock in the door.

There is available one different spindle length for each door width range 38-44 / 44-50 / 50-56/ Etc.

SPINDLE KIT



Technical Design:



Variants:

Code	Description
10430600100	SA 38-44MM DOOR SPINDLE KIT :STCCSPINKIT3844
10430600200	SA 44-50MM DOOR SPINDLE KIT :STCCSPINKIT4450
10430600300	SA 50-56MM DOOR SPINDLE KIT :STCCSPINKIT5056
10430600400	SA 128-134MM DOOR SPINDLE KIT :STCCSPINKIT2430
10430600500	SA 56-62MM DOOR SPINDLE KIT :STCCSPINKIT5662
10430600600	SA 62-68MM DOOR SPINDLE KIT :STCCSPINKIT6268
10430600700	SA 68-74MM DOOR SPINDLE KIT :STCCSPINKIT6874
10430600800	SA 86-92MM DOOR SPINDLE KIT :STCCSPINKIT8692
10430601000	SA 74MM-80MM DOOR SPINDLE KIT :STCCSPINKIT7480
10430601100	SA 104-110MM DOOR SPINDLE KIT :STCCSPINKIT1011
10430601200	SA 124-130MM DOOR SPINDLE KIT :STCCSPINKIT1223

Specification:

On site SMARTair training and support is available on an hourly basis.





ASSA CLIQ® Remote

ASSA ABLOY
Opening Solutions



ASSA CLIQ® Remote Core Products

ASSA ABLOY
Opening Solutions

AA-CDTPD

ASSA CLIQ® Remote Desktop Programming Device

Application:

The desktop programming device is an ASSA CLIQ® Remote key programming device that is connected to a PC. It is used to authenticate administrators to CLIQ Web Manager with the programming key as well as programming ASSA CLIQ® Remote keys locally.

Standards:

N/A

Specification:

To be used with the ASSA CLIQ® Remote system.

Finish:

N/A

AA-CCK

ASSA CLIQ® Remote C-Key

Application:

Programming keys are used as a credential to access CLIQ Web Manager. Administrators can create programming tasks and carry them to the cylinder with a programming key. Cylinders' audit trails can also be retrieved with a programming key.



Specification:

To be used with the ASSA CLIQ® Remote system.

Standards:

Finish:

N/A

N/A

Variants:

Code	Description
AA-820127	ASSA CLIQ® REMOTE MASTER C-KEY *SEE TEXT*
AA-820128	ASSA CLIQ® REMOTE C-KEY *SEE TEXT*

ASSA CLIQ® Remote Core Products **ASSA ABLOY**

CRPD

ASSA CLIQ® Remote Mobile Programming Device

Application:

The Mobile programming device is a portable and personal programming device that is an optimal choice for a keyholder when an ASSA CLIQ® Remote key needs to be updated in various locations.

It acts the same way as the WallPD regarding key update, but gets power from AAA-batteries and a connection to the Internet via a mobile phone (Bluetooth) or laptop (USB).

Specification:

To be used with the ASSA CLIQ® Remote system.

Finish:

N/A



Standards:

N/A

CTC

ASSA CLIQ® Remote Managed Services

Application:

We offer convenient software packages for planning and management of our electronic locking systems. These are designed to match your current business needs and respond to future requirements.

Specification:

Training and Commissioning on ASSA CLIQ® Remote software.

Finish:

N/A



Standards:

N/A

Variants:

Code	Description
AS-CLIQ-274	24/7 Critical Support Service Fee - Annual charge payable on date of order receipt
AS-CLIQ-SP360-YM	Yearly Maintenance fee - Annual charge (1-50 CLIQ products)
AS-CLIQ-SP361-YM	Yearly Maintenance fee - Annual charge (51-200 CLIQ products)
AS-CLIQ-SP362-YM	Yearly Maintenance fee - Annual charge (201-500 CLIQ products)
AS-CLIQ-SP363-YM	Yearly Maintenance fee - Annual charge (501-2000 CLIQ products)
AS-CLIQ-SP364-YM	Yearly Maintenance fee - Annual charge (2001-3000 CLIQ products)
AS-CLIQ-SP365-YM	Yearly Maintenance fee - Annual charge (1000 additional products)
AS-CLIQ-SP360-YH	Yearly Hosting fee - Annual charge (1-50 CLIQ products)
AS-CLIQ-SP361-YH	Yearly Hosting fee - Annual charge (51-200 CLIQ products)
AS-CLIQ-SP362-YH	Yearly Hosting fee - Annual charge (201-500 CLIQ products)
AS-CLIQ-SP363-YH	Yearly Hosting fee - Annual charge (501-2000 CLIQ products)
AS-CLIQ-SP364-YH	Yearly Hosting fee - Annual charge (2001-3000 CLIQ products)
AS-CLIQ-SP365-YH	Yearly Hosting fee - Annual charge (1000 additional products)

ASSA CLIQ® Remote Software as a Service (SaaS)

Application:

Every day the CLIQ® System helps you to manage your access control efficiently – now you can relax even more by benefitting from our software services.



Specification:

- Reduce your costs
- Save time on multiple operational processes
- Invest less in extra hardware and software to operate the system
- Stop continuously upgrading your software to get the latest version
- Have less personnel for maintenance and support

Standards:

N/A

Finish:

N/A

Variants:

Code	Description
AS-CLIQ-SP360	1-50 CLIQ Products
AS-CLIQ-SP361	51-200 CLIQ Products
AS-CLIQ-SP362	201-500 CLIQ Products
AS-CLIQ-SP363	501-2000 CLIQ Products
AS-CLIQ-SP364	2001-3000 CLIQ Products
AS-CLIQ-SP365	1000 Additional Product
AS-CLIQ-MAP-INT	CLIQ Map and Management integration

CWPD

ASSA CLIQ® Remote Wall Programming Device

Application:

The wall programming device is an indoor remote programming device that connects to the CLIQ® Web Manager system via Ethernet.

The communication between CLIQ Web Manager, the wall PD and the ASSA CLIQ® Remote key is encrypted for maximum security. The wall PD can be powered with an external power supply or via Power-over-Ethernet.



Specification:

To be used with the ASSA CLIQ® Remote system.

Standards:

N/A

Finish:

N/A

Variants:

Code	Description
AA-3646340000	ASSA CLIQ® REMOTE WALL PD



Cylinders and Padlocks

ASSA ABLOY
Opening Solutions



Cylinders and Padlocks

Euro Cylinders Euro Cylinders

Application:

The eCLIQ® cylinder is available in a wide range of cylinder applications including euro (double or single), rim, mortice, padlocks, and more.

Specification:

- Temperature range: -25°C - 85°C
- Encrypted (AES) communication between cylinder and key/c-key
- Available in a variety of finishes
- Minimum length: 28 mm (Euro model)
- Modular (from 30mm, by 5 or 10mm extensions)
- Maintenance-free up to 200,000 cycles (includes integrated lubricant reserve)
- Power supplied via the eCLIQ® key's embedded battery



Standards:

- IP54 (dust and rain protection cap available for one or both sides - IP55)
- EN 1303/DIN 18252

Finish:

Satin Nickel
Other finishes available on request

Variants:

Code	Description
AA-E-N530-SN	eCLIQ Double Euro CLIQ/CLIQ 30/30mm
AA-E-N531-SN	eCLIQ Double Euro CLIQ/Mechanical 30/30mm
AA-E-N532-SN	eCLIQ Single Euro 30mm
AA-E-N534-SN	eCLIQ Euro Cylinder and Turn 30/30mm
AA-E-SGL-5	eCLIQ Single Extensions 5mm
AA-E-SGL-10	eCLIQ Single Extensions 10mm
AA-E-SGL-15	eCLIQ Single Extensions 15mm
AA-E-SGL-20	eCLIQ Single Extensions 20mm
AA-E-SGL-25	eCLIQ Single Extensions 25mm

Application:

A completely electronic locking system, eCLIQ is based on the mechanical precision and microelectronic modules of ASSA ABLOY's CLIQ® technology.

Secure, reliable and uncomplicated, the powerful microelectronics in the programmable waterproof key and electronic locking cylinder together, provide the strongest possible security.



Specification:

- High-security protection against manipulation and intelligent break-in attempts
- Integrated microchip for storage of locking - authorisations and event logs
- Use in environments with demanding ambient conditions (Temperature range: -25°C to +85°C)
- Maintenance-free up to 200,000 cycles (includes integrated lubricant reserve)
- Central key channel and low core overlap for problem-free installation in combination with security fittings and other locks
- Optional enhanced drilling protection
- Emergency mechanism with user key
- Optional dust and rain cover available

Finish:

Satin Chrome

Variants:

Code	Description
AA-E-CY310-SC	eCLIQ UK Oval Cylinder
AA-E-CY201-SC	eCLIQ Scan Oval Cylinder
AA-E-CY405-SC	eCLIQ Rim Cylinder
AA-E-DBL-0/5	eCLIQ Double Extension 0/5mm
AA-E-DBL-0/10	eCLIQ Double Extension 0/10mm
AA-E-DBL-0/15	eCLIQ Double Extension 0/15mm
AA-E-DBL-0/20	eCLIQ Double Extension 0/20mm
AA-E-DBL-5/5	eCLIQ Double Extension 5/5mm
AA-E-DBL-5/10	eCLIQ Double Extension 5/10mm
AA-E-DBL-5/15	eCLIQ Double Extension 5/15mm
AA-E-DBL-5/20	eCLIQ Double Extension 5/20mm
AA-E-DBL-10/10	eCLIQ Double Extension 10/10mm
AA-E-DBL-10/15	eCLIQ Double Extension 10/15mm
AA-E-DBL-10/20	eCLIQ Double Extension 10/20mm
AA-E-DBL-15/15	eCLIQ Double Extension 15/15mm
AA-E-DBL-15/20	eCLIQ Double Extension 15/20mm
AA-E-DBL-20/20	eCLIQ Double Extension 20/20mm

Padlocks Padlocks

Application:

A completely electronic locking system, eCLIQ is based on the mechanical precision and microelectronic modules of ASSA ABLOY's CLIQ® technology.

Secure, reliable and uncomplicated, the powerful microelectronics in the programmable waterproof key and electronic locking cylinder together, provide the strongest possible security.



Variants:

Code	Description
AA-E-N315	eCLIQ ASSA Padlock
AA-E-PL330/25	eCLIQ Grade 3 Padlock 25mm

Cylinders and Padlocks

Special Equipment and Extras

Special Equipment and Extras



Variants:

Code	Description
WP	Dust and Rain Cover
AD	Anti Drill Protection
ADWP	Anti Drill and Dust and Rain Protection
AT	ATEX approval
MECH	Mechanical Core

CAM and Furniture Locks



Camlocks Camlocks

Application:

Cam locks are mainly used for letterboxes, vending machines, control cabinets, haunch flaps, wardrobe lockers or security lockers. ASSA ABLOY supplies locking lever variants to suit different areas of application.



Specification:

- Available as rotary secured or electrical version (V=)
- Brass cylinder housing components
- Dimension in mm A, L, B: 38, 29, 21
- Fixing with M30x1.5 housing nut
- Standard locking lever (SLHB=1645009)
- Locking path and locking lever path 90° left or right
- Key withdrawal when locking lever is closed
- Maintenance-free for up to 200,000 cycles

Standards:

- Splash-proof IP54
- Optionally available for use in potentially-explosive atmospheres in Zone 1 (ATEX=II 2G EX IB IIB T4)
- Dust and rain cover for one side available (SUR=1) IP55

Finish:

Standard finish, matt chrome-plated (OF=MC)

Variants:

Code	Description
AA-E-M1910C8	eCLIQ Camlock M10 Square 8mm
AA-E-M1907V5	eCLIQ Camlock M7 Vertical 5mm
AA-E-M1907C7	eCLIQ Camlock M7 Square 6.8mm
AA-E-M2110H7	eCLIQ Camlock M10 Horizontal 7.5mm

Furniture Locks Furniture Locks

Application:

ASSA ABLOY offer a variety of furniture locks to suit your needs.

Specification:

- Available as rotary secured or electronical version (V=)
- Brass cylinder housing components
- Polyamide or metal housing
- Standard housing colour light grey (FB=LGR)
- Further housing finishes optionally available: brown (FB=BN), navy blue (FB=DBL), dark green (FB=DGN), dark red (FB=DRT), light grey (FB=HGR), olive (FB=OL), red (FB=RT), black (FB=SW), white (FB=WS), satin nickel plated (FB=MV)
- With 7 mm square spindle
- Fixing with Parker screw
- Maintenance-free for up to 200,000 cycles



Standards:

Optionally available for use in potentially-explosive atmospheres in Zone 1 (ATEX=II 2G EX IB IIB T4)

Finish:

Standard finish, satin nickel-plated (OF=MV)

Variants:

Code	Description
AA-E-MPC-DEADBOLT	eCLIQ Furniture lock - Deadbolt
AA-E-MR1-LATCH	eCLIQ Furniture lock - Latch
AA-E-T-HANDLE	eCLIQ Lock for T-Handle

Keys and Accessories

ASSA ABLOY
Opening Solutions



Keys Keys

Application:

Used in combination with the eCLIQ cylinder, the eCLIQ User Key can be programmed directly with authorisations and time profiles.

The key also collects usage information to create complete access audit trails.

Specification:

- eCLIQ User Key key can be used with eCLIQ Remote Programming Devices.
- Schedule: 32 week-based time intervals
- Audit trail: 1000 events
- Color-coded LED indicators: Green - Authorized; Red - Unauthorized; Red-green-red - Out of schedule; Blinking red - Low battery
- Supports remote programming of authorizations and scheduling
- Protected against temporary immersion in water (IP67)
- Temperature range: 0°C - 70°C
- Encrypted (AES) communication between the key and the cylinder or software
- Powered by a CR2032 3V lithium battery; Battery replacement in the key does not require tools.
- Battery lifetime: 3 years or 30,000 operations
- Standard design: black; other colors are available for the key cover
 - Special keys:
- Beluga: Designed for use in outdoor installation (-30°C to +50°C), for example, storage in the fire service safe. The Beluga key's battery is not exchangeable.
- RFID: Key with integrated RFID chip for integration into control of transponder-based systems, e.g. access control systems.
- ATEX certified: user keys that are certified for use in potentially-explosive areas in Zone 1 (II 2G Ex ib IIB T4)



Standards:

Protected against temporary immersion in water (IP67)
ATEX Type 1
Optionally available for use in potentially-explosive atmospheres in Zone 1 (ATEX=II 2G EX IB IIB T4)

Finish:

N/A

Variants:

Code	Description
AA-E-CONNECTU	eCLIQ Connect User Key
AA-E-USER	eCLIQ User Key
AA-E-CKEY	eCLIQ Control Key

Programming Devices

ASSA ABLOY
Opening Solutions



Programming Devices

Programming Devices

Application:

Wall PD - Embedded with its own IP address, the online eCLIQ® Remote Wall Programming Device allows users to remotely program eCLIQ User keys and C-Keys.

Mobile PD - Using a cellular phone or computer as a modem, the eCLIQ® Remote Mobile Programming Device (MPD) allows user to program eCLIQ® keys and C-Keys on-the-go.

Specification:

- Provides secure access to the eCLIQ system software
- Reads and uploads audit trails from eCLIQ keys
- Updates eCLIQ Keys with the latest authorizations and time schedules
- Uploads tasks from CLIQ® software to the C-Key(s)
- Makes authorization changes in Dynamic keys
- Actions time-profile changes in Dynamic and Time keys
- Retrieves audit trails from Dynamic and Time keys
- Revalidates keys
- Automatically syncs keys' time settings
- Provides visual and audio indicators of operational status and activity progress
- Updates eCLIQ key's firmware. (Applies to Wall PD's)
- Computer connectivity via micro USB cable
- Power supply: powered through the micro USB cable
- IP42
- Power supply: 12-24 V AC/DC or Power over Ethernet (PoE) - class 1 IEEE 802.3 af. (Supply must be LPS approved)
- 'Anti vandal' model: IP65, Vandalism-resistant IK9 (Applies to Wall PD's)
- Makes authorization changes in Dynamic keys
- Retrieves audit trails from Dynamic keys
- Revalidates keys
- Automatically syncs keys' time settings
- Provides visual and audio indicators of operational status and activity progress Applies to mobile PD's
- IP42
- Powered by 4 x AAA batteries
- Connection options
- Via cellular telephone through Bluetooth. Connects to conventional cellular telephone models without the need for software installation
- Via computer through USB connection between Mobile PD and computer using a simple application as a bridge for network connections. Can be powered through the USB cable (Applies to Mobile PD's)



Standards:

Wall PD:

- IP42
- Power supply: 12-24 V AC/DC or Power over Ethernet (PoE) - class 1 IEEE 802.3 af. (Supply must be LPS approved)
- 'Anti vandal' model: IP65, Vandalism-resistant IK9

Mobile PD

- IP42

Finish:

N/A

Variants:

Code	Description
AA-E_TQ500	eCLIQ Desktop PC
AA-E-WPD	eCLIQ Wall PD
AA-E-EXPD	eCLIQ External Wall PD (Anti Vandal)

Accessories Accessories

Application:

Single-port Power-over-Ethernet Midspan Injectors inject power into ethernet cables to supply power and data to a PoE enabled devices



Specification:

- Diagnostic LEDs
- Over voltage, over current and short circuit protection
- Output voltage protection
- Fully regulated output
- RJ45 Data In and Data/Power Out sockets
- Case fitted with mounting brackets

Standards:

- Harmonic current compliance to EN 61000-3-2
- EMI compliance to EN 55022 Class B and FCC Class B
- UNH IOL tested

Finish:

N/A

Variants:

Code	Description
AA-E-POE	Power over Ethernet Device



Software Costs per Master Key System - Licence Fee

Software Costs per Master Key System - Licence Fee

Application:

The eCLIQ Web Manager provides high security functions and a process regarding data management of the end customer's locking system.

To securely access the cloud hosted environment you need a desktop programmer and a control key; the control key acts as your username and the desktop programmer allows the eCLIQ Web Manager to read that key.

You will also require a software license. Software pricing is based on the size of the system and comes in three or four parts depending on your system.



Standards:

N/A

Specification:

- Internet application for multiple administrators
- Particularly suitable for managing very large locking systems as well as locking systems spread out over multiple locations
- Convenient search functions as well as intelligent assignment and filter functions optimise its operation
- User-friendly, requires less training because of its straightforward design and "step-by-step" user guidance
- Central server and data storage - completely network-compatible client/server design
- Simple installation and administration through platform-independent design
- Used on the client by way of a standard web browser
- Network connections, 128-bit SSL encryption as well as the security afforded by software certificates on client and server
- Log-in done with programming key and personal PIN code
- Pricing is based on the total number of locking cylinders and keys within a locking system

Finish:

N/A

Variants:

Code	Description
AA-CLIQ-SP360	1-50 CLIQ Products
AA-CLIQ-SP361	51-200 CLIQ Products
AA-CLIQ-SP362	201-500 CLIQ Products
AA-CLIQ-SP363	501-2000 CLIQ Products
AA-CLIQ-SP364	2000-3000 CLIQ Products
AA-CLIQ-SP365	1000 Additional Products

Yearly Maintenance Fee

Yearly Maintenance Fee

Application:

A completely electronic locking system, eCLIQ is based on the mechanical precision and microelectronic modules of ASSA ABLOY's CLIQ® technology.

Secure, reliable and uncomplicated, the powerful microelectronics in the programmable waterproof key and electronic locking cylinder together, provide the strongest possible security.



Variants:

Code	Description
AA-CLIQ-SP360-YM	1-50 CLIQ Products
AA-CLIQ-SP361-YM	51-200 CLIQ Products
AA-CLIQ-SP362-YM	201-500 CLIQ Products
AA-CLIQ-SP363-YM	501-2000 CLIQ Products
AA-CLIQ-SP364-YM	2000-3000 CLIQ Products
AA-CLIQ-SP365-YM	1000 Additional Products

Yearly Hosting Service Fee

Yearly Hosting Service Fee

Application:

A completely electronic locking system, eCLIQ is based on the mechanical precision and microelectronic modules of ASSA ABLOY's CLIQ® technology.

Secure, reliable and uncomplicated, the powerful microelectronics in the programmable waterproof key and electronic locking cylinder together, provide the strongest possible security.



Variants:

Code	Description
AA-CLIQ-SP360-YH	1-50 CLIQ Products
AA-CLIQ-SP361-YH	51-200 CLIQ Products
AA-CLIQ-SP362-YH	201-500 CLIQ Products
AA-CLIQ-SP363-YH	501-2000 CLIQ Products
AA-CLIQ-SP364-YH	2000-3000 CLIQ Products
AA-CLIQ-SP365-YH	1000 Additional Products

Licence and Hosting

CLIQ CONNECT Service Fee

CLIQ CONNECT Service Fee

Application:

A completely electronic locking system, eCLIQ is based on the mechanical precision and microelectronic modules of ASSA ABLOY's CLIQ® technology.

Secure, reliable and uncomplicated, the powerful microelectronics in the programmable waterproof key and electronic locking cylinder together, provide the strongest possible security.



Variants:

Code	Description
AA-CLIQ-SPCC1	1-50 CLIQ Keys
AA-CLIQ-SPCC2	51-200 CLIQ Keys
AA-CLIQ-SPCC3	201-500 CLIQ Keys
AA-CLIQ-SPCC4	501-2000 CLIQ Keys
AA-CLIQ-SPCC5	1000 Additional Keys

Licence and Hosting

24/7 Critical Support Service Fee

24/7 Critical Support Service Fee

Application:

A completely electronic locking system, eCLIQ is based on the mechanical precision and microelectronic modules of ASSA ABLOY's CLIQ® technology.

Secure, reliable and uncomplicated, the powerful microelectronics in the programmable waterproof key and electronic locking cylinder together, provide the strongest possible security.



Variants:

Code	Description
AA-CLIQ-247	

CLIQ® Go

ASSA ABLOY
Opening Solutions

Cylinders and Padlocks

ASSA ABLOY
Opening Solutions



Cylinders and Padlocks

Euro Cylinders

Euro Cylinders

Variants:

Code	Description
AA-E-N530-SN-GO	eCLIQ Go Double Euro CLIQ/CLIQ 30/30mm
AA-E-N531-SN-GO	eCLIQ Go Double Euro CLIQ/Mechanical 30/30mm
AA-E-N532-SN-GO	eCLIQ Go Single Euro 30mm
AA-E-N534-SN-GO	eCLIQ Go Euro Cylinder and Turn 30/30mm
AA-E-SGL-5	eCLIQ Single Extensions 5mm
AA-E-SGL-10	eCLIQ Single Extensions 10mm
AA-E-SGL-15	eCLIQ Single Extensions 15mm
AA-E-SGL-20	eCLIQ Single Extensions 20mm
AA-E-SGL-25	eCLIQ Single Extensions 25mm

Variants:

Code	Description
AA-E-CY310-SC-GO	eCLIQ Go UK Oval Cylinder
AA-E-CY201-SC-GO	eCLIQ Go Scan Oval Cylinder
AA-E-CY405-SC-GO	eCLIQ Go Rim Cylinder
AA-E-DBL-0/5	eCLIQ Double Extension 0/5mm
AA-E-DBL-0/10	eCLIQ Double Extension 0/10mm
AA-E-DBL-0/15	eCLIQ Double Extension 0/15mm
AA-E-DBL-0/20	eCLIQ Double Extension 0/20mm
AA-E-DBL-5/5	eCLIQ Double Extension 5/5mm
AA-E-DBL-5/10	eCLIQ Double Extension 5/10mm
AA-E-DBL-5/15	eCLIQ Double Extension 5/15mm
AA-E-DBL-5/20	eCLIQ Double Extension 5/20mm
AA-E-DBL-10/10	eCLIQ Double Extension 10/10mm
AA-E-DBL-10/15	eCLIQ Double Extension 10/15mm
AA-E-DBL-10/20	eCLIQ Double Extension 10/20mm
AA-E-DBL-15/15	eCLIQ Double Extension 15/15mm
AA-E-DBL-15/20	eCLIQ Double Extension 15/20mm
AA-E-DBL-20/20	eCLIQ Double Extension 20/20mm

Padlocks

Padlocks

Variants:

Code	Description
AA-E-N315-GO	eCLIQ Go ASSA Padlock
AA-E-PL330/25-GO	eCLIQ Go Grade 3 Padlock 25mm

Cylinders and Padlocks

Special Equipment and Extras

Special Equipment and Extras

Variants:

Code	Description
WP	Dust and Rain Cover
AD	Anti Drill Protection
ADWP	Anti Drill and Dust and Rain Protection
AT	ATEX approval
MECH	Mechanical Core

CAM and Furniture Locks



Camlocks Camlocks

Variants:

Code	Description
AA-E-M1910C8-GO	eCLIQ Go Camlock M10 Square 8mm
AA-E-M1907V5-GO	eCLIQ Go Camlock M7 Vertical 5mm
AA-E-M1907C7-GO	eCLIQ Go Camlock M7 Square 6.8mm
AA-E-M2110H7-GO	eCLIQ Go Camlock M10 Horizontal 7.5mm

Furniture Locks Furniture Locks

Variants:

Code	Description
AA-E-MPC-DEADB-GO	eCLIQ Go Furniture lock - Deadbolt
AA-E-MR1-LATCH-GO	eCLIQ Go Furniture lock - Latch
AB-E-T-HANDLE	eCLIQ Lock for T-Handle

Keys and Accessories

ASSA ABLOY
Opening Solutions



Keys Keys

Variants:

Code	Description
AA-E-PRGKEY-GO	eCLIQ Go Cylinder Programming Key
AA-E-USERKEY-GO	eCLIQ Go User Key
AA-E-CKEY-GO	eCLIQ Go Express Control Key

Programming Devices



Variants:

Code	Description
AA-E-TQ500-GO	eCLIQ Go Desktop PC
AA-E-MPD-GO	eCLIQ Go Mobile PD



Variants:

Code	Description
AA-GO-SYSCARD	eCLIQ Go System Card

Licence and Hosting

Hosting and Maintenance

Hosting and Maintenance

Variants:

Code	Description
AA-GO-SERVICE	Charged per door or locking element per year