

Table of Contents

IRONMONGERY PLUS

Architectural Ironmongery Specialists

0131 605 0141

ASSA Electric Strikes	2
131E - Electric strike	4
5131E - Electric strike	5
Alternative faceplates - Alternative faceplates	6
8131E - Electric strike	7
Alternative faceplates - Alternative faceplates	8
331A - Electric strike	10
5331A - Electric strike	11
Alternative faceplates - Alternative faceplates	12
STEP 180 - Fail secure hookbolt strike	14
STEP 181 - Fail safe hookbolt strike	15
STEP 280 - Fail secure hookbolt strike	16
STEP 281 - Fail safe hookbolt strike	17
Alternative faceplates - Alternative faceplates	18
ST670 - Deadbolt strike	20
ST671 - Deadbolt strike	21
Faceplate 625 - Faceplate 625	22
Faceplate 635 - Faceplate 635	23
75 - Electric strike	25
575 - Electric strike	26
F/P NO 730, 731, 733, 740, 741, 742, 743 - Faceplates	27
75/ANSI - 75 ANSI electric strike	29
575/ANSI - 575 ANSI electric strike	30
Alternative faceplate - Alternative faceplate	31
14E - Electric strike	33
514E - Electric strike	34
Alternative faceplates - Alternative faceplates	35
114A - Electric strike	37
5114A - Electric strike	38
Alternative faceplates - Alternative faceplates	39
17E - Electric strike	41
517E - Electric strike	42
37A - Electric strike	43
537A - Electric strike	44
STACC - Strike Accessories	46
ASSA 900 Strike Body - ASSA 900 Strike Body	48
ASSA 910 Strike Body - ASSA 910 Strike Body	50
ASSA 911 Strike Body - ASSA 911 Strike Body	52
ASSA 920 Strike Body - ASSA 920 Strike Body	54
ASSA 960 Strike Body - ASSA 960 Strike Body	56
ASSA Face Plate for 900 Series E/S - ASSA Face Plate for 900 Series E/S	58
ASSA Electric Locks	59
884 - 884 split follower nightlatch	61
880 - 880 nightlatch	62
885 - 885 split follower sash lock	64
881 - 881 sash lock	66

Table of Contents

886 - 886 escape split follower sash lock	69
Example of a complete system - Example of a complete system	71
810S - 810S sash lock	73
811S - 811S hookbolt lock	75
811S/35mm - 811S/35mm narrow profile hookbolt lock	76
DAC-430 - DAC-430	78
Connect motor lock package - Connect motor lock package	79
1048 - 1048 cabinet lock	81
1049 - 1049 cabinet lock	82
ELACC - Electric Lockcase accessories	84
ASSA Digital Door Lock	85
SHINE.99 - ASSA ABLOY Shine	87
CD3500 - CD3500 digital codelock	90
CDACC - Codoor Accessories	91
22CL - ASSA 22CL	93
ASSA CODELOCKS ACC - Codelock Accessories	94
HID Entryprox Reader - HID Entryprox Reader	96
ASSA Door Magnets	97
M838-BW2U - M838-BW2U hold-open with override	99
M838-BW4U - M838-BW4U hold-open with override	100
M8000 - M8000 magnet	102
M8005 - M8005 magnet	103
M8011 - M8011 magnet	105
M8022 - M8022 double magnet	106
M8065 - M8065 weatherproof magnet	108
M8031X002 - M8031X002 Shearmagnet	110
M838-A - M838-A mortice hold-open	112
838-3 - 838-3 armature plate	113
M838-ISU - M838-ISU wall mounted hold-open with override	115
M838-IGBU - M838-IGBU floor mounted hold-open with override	116
DMACC - Door magnet accessories	118
ASSA Miscellaneous and Accessories	119
PS-SS - Standard series	121
PS-PS - Professional series	122
Accessories - Accessories	123
Bolt position monitors - Bolt position monitors	125
SMARTCRD - Smart CRD	127
EMEREB - Emergency Exit Button	129
Egress Switch - Egress Switch	130

Electric Locking

ASSA ABLOY

ASSA ABLOY Electric locking hardware offer the perfect combination of fast convenient access, safe exit, distance operation, surveillance and last but not least high security.



Tested to one million operations, ideal for high traffic applications. Designed with high quality components that provide exceptional resistance to wear.



High security - fail locked

ASSA ABLOY

High security - fail locked

131E

Electric strike

ASSA ABLOY

Application:

For use on external door entry systems where high security and resistance to vandalism is paramount, such as high rise residential accommodation, multiple occupancy office buildings, elderly persons units and banks/building societies.

Supplied fitted with either faceplate 13, 16, 24 or 823, secured with anti-vandal screws.

Body, faceplate and pivoting staple are manufactured from high grade steel.

Tested to 1,000,000 operations.

VERY HIGH strength - resists 1,500 kg sidepressure on the pivoting staple.

Can be used with both left and right hand doors without adjustment.



Specification:

DC continuous duty fail-locked

The strike opens when the current is on and locks automatically when the current is switched off.

Will open even when a sidepressure up to 25kg is applied.

Variants:

Code	Description
10266010857	131/13 12V ELECTRIC STRIKE
10266210857	131/16 12V ELECTRIC STRIKE
10266410857	131/24 12V ELECTRIC STRIKE
10266620857	131/823 12 VOLT ELECTRIC STRIKE
50205006957	131E 12V BODY S/S ONLY 131-E3431

High security - fail locked

5131E

Electric strike

ASSA ABLOY

Application:

For use on external door entry systems where high security and resistance to vandalism is paramount, such as high rise residential accommodation, multiple occupancy office buildings, elderly persons units and banks/building societies.

Supplied fitted with either faceplate 13, 16, 24 or 823, secured with anti-vandal screws.

Body, faceplate and pivoting staple are manufactured from high grade steel.

Tested to 1,000,000 operations.

VERY HIGH strength - resists 1,500 kg sidepressure on the pivoting staple.

Can be used with both left and right hand doors without adjustment.



Specification:

DC continuous duty fail-locked with built-in microswitch

The strike opens when the current is on and locks automatically when the current is switched off.

A microswitch monitors the latchbolt engagement.

Will open even when a sidepressure up to 25kg is applied.

Variants:

Code	Description
10266810857	5131/13 12V ELECTRIC STRIKE
10267010857	5131/16 12V ELECTRIC STRIKE
10267210857	5131/24 12V ELECTRIC STRIKE

High security - fail locked

Alternative faceplates

Alternative faceplates

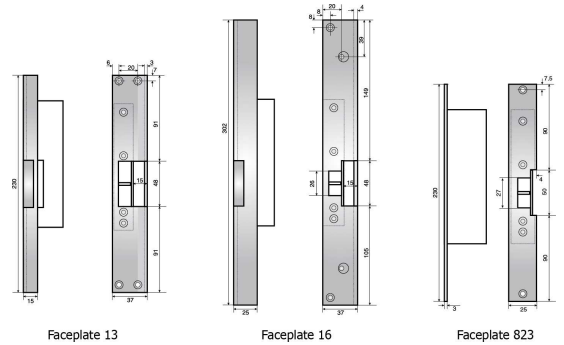
ASSA ABLOY

Application:

Faceplate 24 is suitable for timber or metal-framed doors.
Faceplate 16 is designed for wooden frames, and features angled fixing screws. It is particularly suitable for areas prone to vandalism.

Faceplate 13 has a wider mouth to suit non-ASSA locks for metal or wooden framed doors.

Faceplate 823 is suitable for metal or plastic framed doors.



High security - fail locked

8131E

Electric strike

ASSA ABLOY

Application:

For use on external door entry systems where high security and resistance to vandalism is paramount, such as high rise residential accommodation, multiple occupancy office buildings, elderly persons units and banks/building societies.

Supplied fitted with either faceplate 13, 16, 24 or 823, secured with anti-vandal screws.

Body, faceplate and pivoting staple are manufactured from high grade steel.

Tested to 1,000,000 operations.

VERY HIGH strength - resists 1,500 kg sidepressure on the pivoting staple.

Can be used with both left and right hand doors without adjustment.

Specification:

DC continuous duty fail-locked with two built-in microswitches

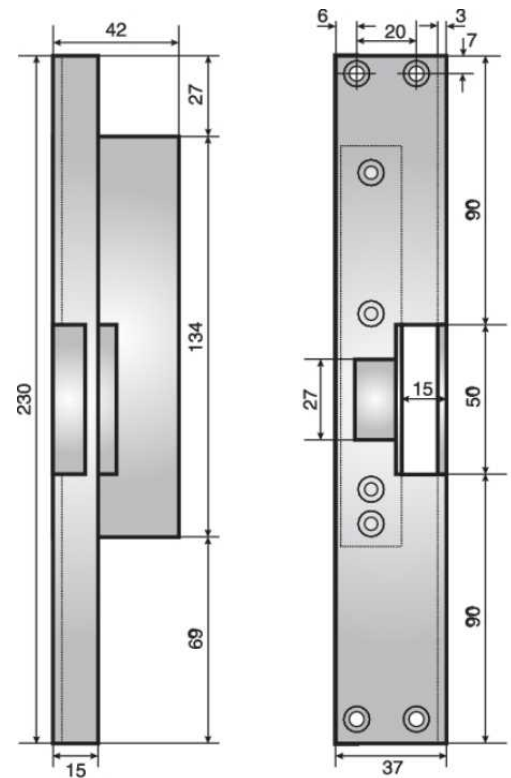
The strike opens when the current is on and locks automatically when the current is switched off.

One microswitch monitors the latchbolt engagement, and the other monitors the deadlocking of the pivoting staple, thus giving 100% assurance that the door is properly secured.

Will open even when a sidepressure up to 25kg is applied.

Variants:

Code	Description
10105020857	8131/823 12V ELECTRIC STRIKE



High security - fail locked

Alternative faceplates

Alternative faceplates

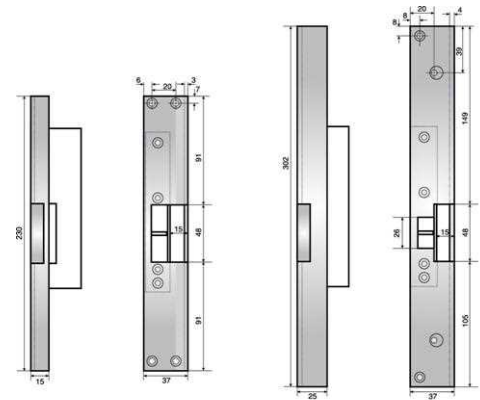
ASSA ABLOY

Application:

Faceplate 24 is suitable for timber or metal-framed doors.
Faceplate 16 is designed for wooden frames, and features angled fixing screws. It is particularly suitable for areas prone to vandalism.

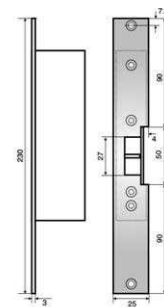
Faceplate 13 has a wider mouth to suit non-ASSA locks for metal or wooden framed doors.

Faceplate 823 is suitable for metal or plastic framed doors.



Faceplate 13

Faceplate 16



Faceplate 823

High security - fail safe

ASSA ABLOY

High security - fail safe

331A

Electric strike

ASSA ABLOY

Application:

Offer true fail safe function. For use where a high security and vandal resistance must be balanced with the need for safety. For example, high rise residential accommodation, multiple occupancy office buildings, and elderly persons units where quick evacuation and access for the emergency services may be necessary.

Supplied fitted with either faceplate 13, 16, 24 or 823, secured with anti-vandal screws.

Body, faceplate and pivoting staple are manufactured from high grade steel.

Tested to 1,000,000 operations.

HIGH strength - resists 750kg sidepressure on the pivoting staple.

Can be used with both left and right hand doors without adjustment.



Specification:

DC continuous duty fail safe

The strike is closed as long as the current is on and opens automatically when the current is switched off.

Will open even when a sidepressure up to 500kg is applied.

Variants:

Code	Description
10051320857	331/13 12V ELECTRIC STRIKE
10051420857	331/16 12V ELECTRIC STRIKE
10051520857	331/24 12V ELECTRIC STRIKE
10105120857	331/823 12V ELECTRIC STRIKE

High security - fail safe

5331A

Electric strike

ASSA ABLOY

Application:

Offer true fail safe function. For use where a high security and vandal resistance must be balanced with the need for safety. For example, high rise residential accommodation, multiple occupancy office buildings, and elderly persons units where quick evacuation and access for the emergency services may be necessary.

Supplied fitted with either faceplate 13, 16, 24 or 823, secured with anti-vandal screws.

Body, faceplate and pivoting staple are manufactured from high grade steel.

Tested to 1,000,000 operations.

HIGH strength - resists 750kg sidepressure on the pivoting staple.

Can be used with both left and right hand doors without adjustment.



Specification:

DC continuous duty fail safe with built-in microswitch

The strike is closed as long as the current is on and opens automatically when the current is switched off.

A microswitch monitors the latchbolt engagement.

Will open even when a sidepressure up to 500kg is applied.

Variants:

Code	Description
10051020857	5331/13 12V ELECTRIC STRIKE
10051120857	5331/16 12V ELECTRIC STRIKE
10051220857	5331/24 12V ELECTRIC STRIKE

High security - fail safe

Alternative faceplates

Alternative faceplates

ASSA ABLOY

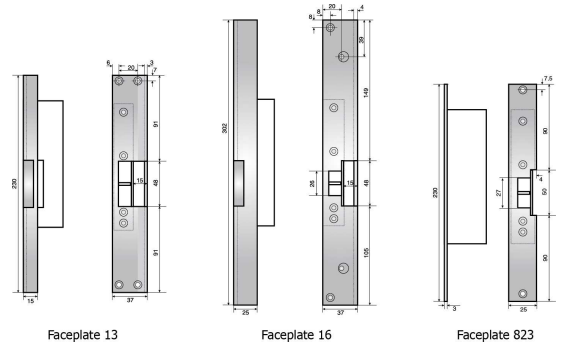
Application:

Faceplate 24 is suitable for timber or metal-framed doors.

Faceplate 16 is designed for wooden frames, and features angled fixing screws.

Faceplate 13 has a wider mouth to suit non-ASSA locks for metal or wooden framed doors.

Faceplate 823 is suitable for metal or plastic framed doors.



Hookbolt strikes

ASSA ABLOY

Hookbolt strikes

STEP 180

Fail secure hookbolt strike

Application:

For use where the electronic access control system must work together with a high security Connect hookbolt rather than the traditional latchbolt. The rapid operation of an electric strike, as compared to a motor lock, is recommended for high-traffic areas such as corridor doors and main entrances. These strikes are also recommended for rooms containing cash or valuables and areas where staff may be subject to attack.

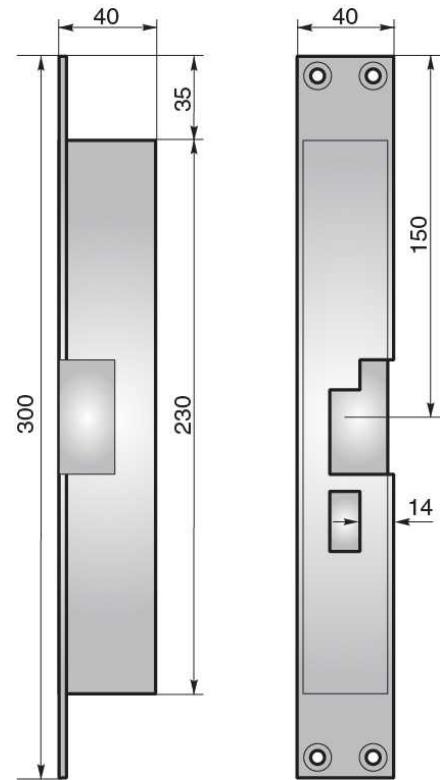
All Hookbolt Strikes are supplied fitted with either faceplate 183 or 283, or 184 or 284, and with 5 m cable. The strike is manufactured from stainless steel. VERY HIGH strength - resists 1,500kg sidepressure on the pivoting staple. Door handing must be specified when ordering.

Specification:

DC continuous duty fail secure

The strike opens when the current is on and locks automatically when the current is switched off. Two microswitches monitor the hookbolt engagement and the deadlocking of the pivoting staple. Features receiver in faceplate for conventional latchbolt. Handing must be specified when ordering.

Use references:
180A - left hand
180B - right hand.



Standards:

EN 50081-1 (Emission)
EN 50082-2 (Immunity)
EMC 89/336/EEC
EMC 93/68/EEC

Variants:

Code	Description
35942110031	STEP 18 ST180-A12 LEFT HAND F/LOCKED 12V

Hookbolt strikes

STEP 181

Fail safe hookbolt strike

Application:

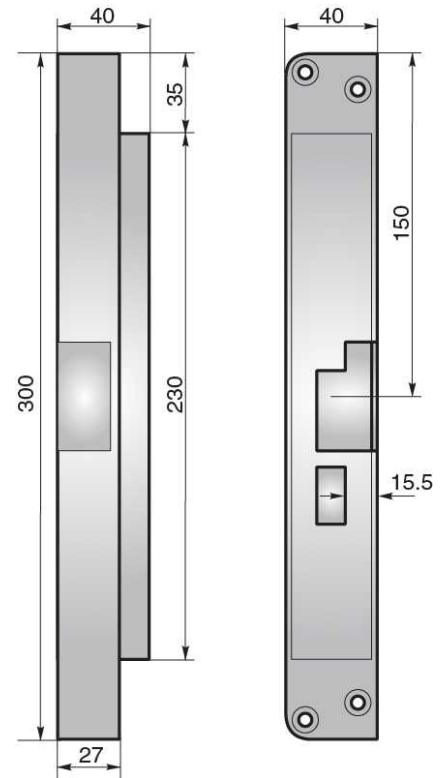
For use where the electronic access control system must work together with a high security Connect hookbolt rather than the traditional latchbolt. The rapid operation of an electric strike, as compared to a motor lock, is recommended for high-traffic areas such as corridor doors and main entrances. These strikes are also recommended for rooms containing cash or valuables and areas where staff may be subject to attack.

All Hookbolt Strikes are supplied fitted with either faceplate 183 or 283, or 184 or 284, and with 5 m cable. The strike is manufactured from stainless steel. VERY HIGH strength - resists 1,500kg sidepressure on the pivoting staple. Door handing must be specified when ordering.

Specification:

DC continuous duty fail safe

The strike is closed as long as the current is on and opens automatically when the current is switched off. Two microswitches monitor the hookbolt engagement and the deadlocking of the pivoting staple. Will open even when a sidepressure up to 500kg is applied. Features receiver in faceplate for conventional latchbolt. Handing must be specified when ordering. Use references:
181A - left hand
181B - right hand.



Standards:

EN 50081-1 (Emission)
EN 50082-2 (Immunity)
EMC 89/336/EEC
EMC 93/68/EEC

Variants:

Code	Description
35942410031	STEP 18 ST181-B12 RIGHT HAND F/UNLOC 12V

Hookbolt strikes

STEP 280

Fail secure hookbolt strike

ASSA ABLOY

Application:

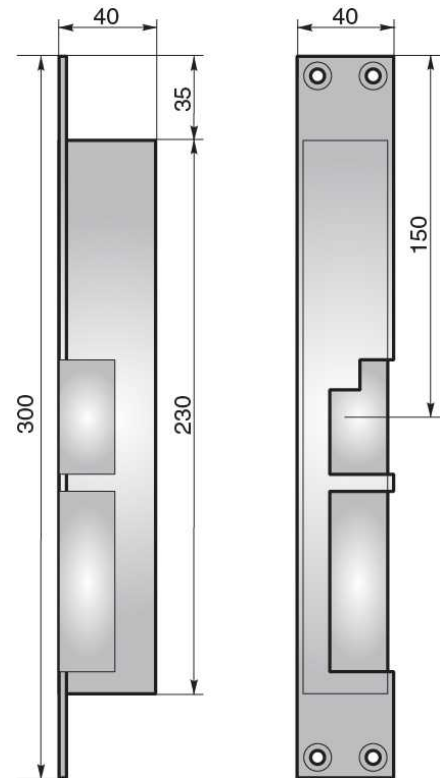
For use where the electronic access control system must work together with a high security Connect hookbolt rather than the traditional latchbolt. The rapid operation of an electric strike, as compared to a motor lock, is recommended for high-traffic areas such as corridor doors and main entrances. These strikes are also recommended for rooms containing cash or valuables and areas where staff may be subject to attack.

All Hookbolt Strikes are supplied fitted with either faceplate 183 or 283, or 184 or 284, and with 5 m cable. The strike is manufactured from stainless steel. VERY HIGH strength - resists 1,500kg sidepressure on the pivoting staple. Door handing must be specified when ordering.

Specification:

DC continuous duty fail secure

The strike opens when the current is on and locks automatically when the current is switched off. Two microswitches monitor the hookbolt engagement and the deadlocking of the pivoting staple. Features additional pivoting staple for latchbolt, allowing the door to be opened by an automatic door operator. Handing must be specified when ordering. Use references:
280A - left hand
280B - right hand.



Standards:

EN 50081-1 (Emission)
EN 50082-2 (Immunity)
EMC 89/336/EEC
EMC 93/68/EEC

Hookbolt strikes

STEP 281

Fail safe hookbolt strike

ASSA ABLOY

Application:

For use where the electronic access control system must work together with a high security Connect hookbolt rather than the traditional latchbolt. The rapid operation of an electric strike, as compared to a motor lock, is recommended for high-traffic areas such as corridor doors and main entrances. These strikes are also recommended for rooms containing cash or valuables and areas where staff may be subject to attack.

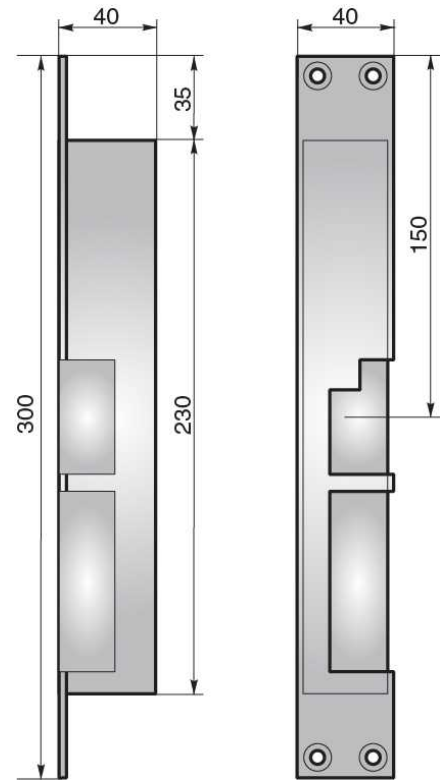
All Hookbolt Strikes are supplied fitted with either faceplate 183 or 283, or 184 or 284, and with 5 m cable. The strike is manufactured from stainless steel. VERY HIGH strength - resists 1,500kg sidepressure on the pivoting staple. Door handing must be specified when ordering.

Specification:

DC continuous duty fail safe

The strike is closed as long as the current is on and opens automatically when the current is switched off. Two microswitches monitor the hookbolt engagement and the deadlocking of the pivoting staple. Will open even when a sidepressure up to 500kg is applied. Features receiver in faceplate for conventional latchbolt. Handing must be specified when ordering. Use references:

281A - left hand
281B - right hand.



Standards:

EN 50081-1 (Emission)
EN 50082-2 (Immunity)
EMC 89/336/EEC
EMC 93/68/EEC

Hookbolt strikes

Alternative faceplates

Alternative faceplates

Application:

For use where the electronic access control system must work together with a high security Connect hookbolt rather than the traditional latchbolt. The rapid operation of an electric strike, as compared to a motor lock, is recommended for high-traffic areas such as corridor doors and main entrances. These strikes are also recommended for rooms containing cash or valuables and areas where staff may be subject to attack.

All Hookbolt Strikes are supplied fitted with either faceplate 183 or 283, or 184 or 284, and with 5 m cable.

The strike is manufactured from stainless steel.

VERY HIGH strength - resists 1,500kg sidepressure on the pivoting staple.

Door handing must be specified when ordering.

Specification:

Faceplate 183 (for STEP 180/181) and faceplate 283 (for STEP 280) are suitable for metal frames.

Faceplate 184 (for STEP 180/181) and faceplate 284 (for STEP 280) are suitable for timber frames.

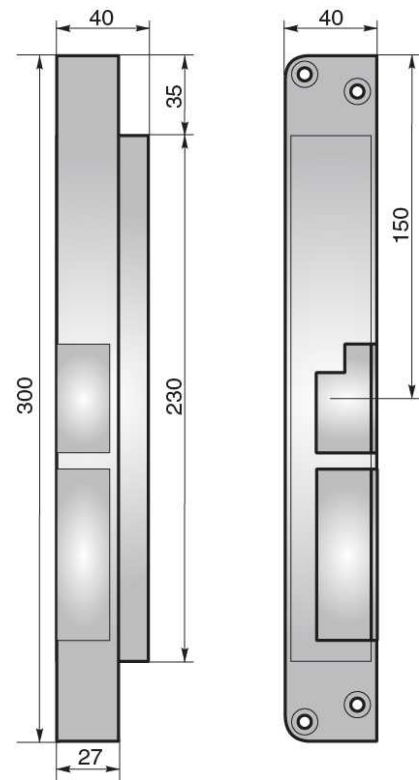
Handing must be specified when ordering. Use suffixes:

-A - left hand

-B - right hand.

Variants:

Code	Description
50601710031	ST283B WRAP FACEPLATE RIGHT HAND ONLY
50601210031	ST184A WRAP FACEPLATE LEFT HAND ONLY



Deadbolt strikes

ASSA ABLOY

Application:

For use where the electronic access control system must work together with a high security deadbolt rather than the traditional latchbolt. The rapid operation of an electric strike, as compared to a motor lock, is recommended for high-traffic areas such as corridor doors and main entrances. These strikes are also recommended for rooms containing cash or valuables and areas where staff may be subject to attack.

All STEAB Deadbolt Strikes are supplied fitted with either faceplate 625 or 635, and with 5 m cable.

The strike is manufactured from stainless steel.

EXTREMELY HIGH strength - resists 1,850kg sidepressure on the pivoting staple.

Can be used with both left and right hand doors without adjustment.

Standards:

EN 50081-1 (Emission)
EN 50082-2 (Immunity)
EMC 89/336/EEC
EMC 93/68/EEC

Specification:

DC continuous duty fail-locked with built-in microswitch

The strike opens when the current is on and locks automatically when the current is switched off.

A microswitch monitors the deadbolt engagement.

The strike releases the deadbolt of the lockcase when activated. The door can always close and re-lock, even when the deadbolt is in the extended position.

The latchbolt is controlled in the normal way for the lockcase in question - most often by lever handle.

For dimensions see below.

Variants:

Code	Description
10139210031	ST670/625 12V DEADBOLT STRIKE F/LOCKED
10139310031	ST670/635 12V DEADBOLT STRIKE F/LOCKED
10402200031	ST670/625 24V DEADBOLT STRIKE F/LOCKED
10481700031	ST670/635 24V DEADBOLT STRIKE F/LOCKED

Application:

For use where the electronic access control system must work together with a high security deadbolt rather than the traditional latchbolt. The rapid operation of an electric strike, as compared to a motor lock, is recommended for high-traffic areas such as corridor doors and main entrances. These strikes are also recommended for rooms containing cash or valuables and areas where staff may be subject to attack.

All STEAB Deadbolt Strikes are supplied fitted with either faceplate 625 or 635, and with 5 m cable.

The strike is manufactured from stainless steel.

EXTREMELY HIGH strength - resists 1,850kg sidepressure on the pivoting staple.

Can be used with both left and right hand doors without adjustment.

Standards:

EN 50081-1 (Emission)
EN 50082-2 (Immunity)
EMC 89/336/EEC
EMC 93/68/EEC

Specification:

DC continuous duty fail-unlocked with built-in microswitch

The strike is closed as long as the current is on and opens automatically when the current is switched off.

A microswitch monitors the deadbolt engagement.

The strike releases the deadbolt of the lockcase when activated. The door can always close and re-lock, even when the deadbolt is in the extended position.

The latchbolt is controlled in the normal way for the lockcase in question - most often by lever handle. Note that this other bolt would not be released if the power failed.

For dimensions see below.

Variants:

Code	Description
10139410031	ST671/625 12V DEADBOLT STRIKE F/UNLOCKED
10139510031	ST671/635 12V DEADBOLT STRIKE F/UNLOCKED
10173400031	ST671/625 24V DEADBOLT STRIKE F/UNLOCKED
10195200031	ST671/635 24V DEADBOLT STRIKE F/UNLOCKED

Deadbolt strikes

Faceplate 625

Faceplate 625

Application:

For use where the electronic access control system must work together with a high security deadbolt rather than the traditional latchbolt. The rapid operation of an electric strike, as compared to a motor lock, is recommended for high-traffic areas such as corridor doors and main entrances. These strikes are also recommended for rooms containing cash or valuables and areas where staff may be subject to attack.

All STEAB Deadbolt Strikes are supplied fitted with either faceplate 625 or 635, and with 5 m cable.

The strike is manufactured from stainless steel.

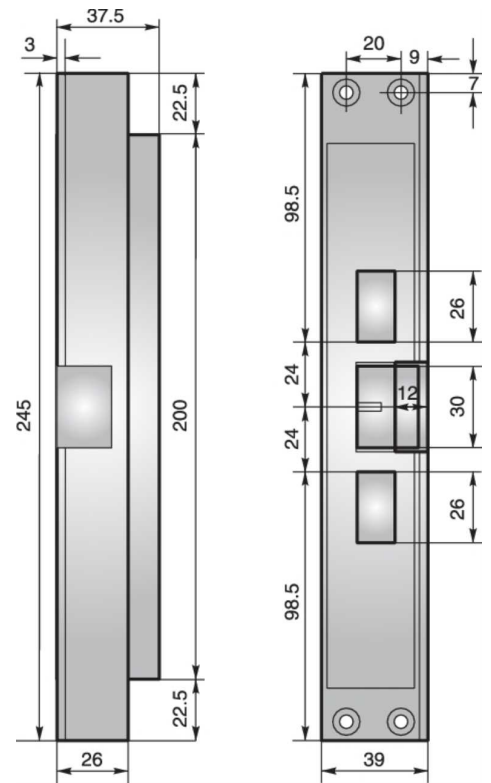
EXTREMELY HIGH strength - resists 1,850kg sidepressure on the pivoting staple.

Can be used with both left and right hand doors without adjustment.

Specification:

Faceplate 625 is suitable for wooden frames.

Used with either of the two electric strike bodies listed above.



Deadbolt strikes

Faceplate 635

Faceplate 635

Application:

For use where the electronic access control system must work together with a high security deadbolt rather than the traditional latchbolt. The rapid operation of an electric strike, as compared to a motor lock, is recommended for high-traffic areas such as corridor doors and main entrances. These strikes are also recommended for rooms containing cash or valuables and areas where staff may be subject to attack.

All STEAB Deadbolt Strikes are supplied fitted with either faceplate 625 or 635, and with 5 m cable.

The strike is manufactured from stainless steel.

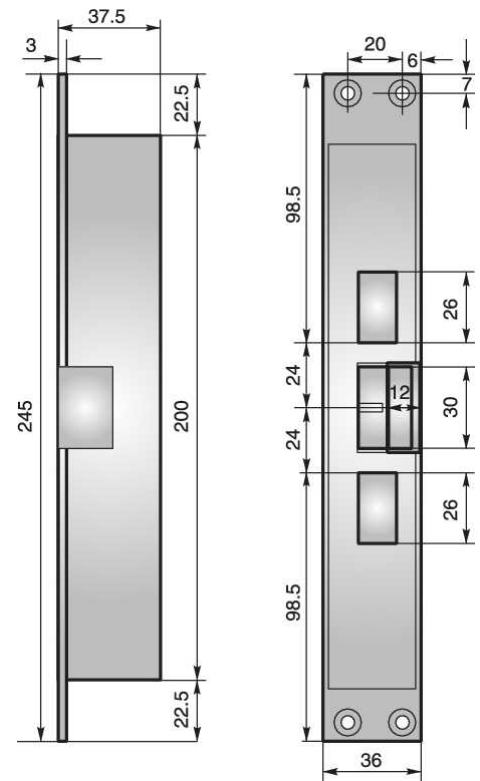
EXTREMELY HIGH strength - resists 1,850kg sidepressure on the pivoting staple.

Can be used with both left and right hand doors without adjustment.

Specification:

Faceplate 635 is suitable for metal frames.

Used with either of the two electric strike bodies listed above.



Application:

Suitable for almost any situation. Will accept a wide range of power inputs. Faceplates 730 and 731 may be used with locks with a separate mechanical deadbolt, giving increased physical security controlled by keyholders when needed.

Body and faceplate are made from high grade steel.

Tested to 1,500,000 operations.

HIGH strength - resists 700kg sidepressure on the staple.

Can be used with both left and right hand doors without adjustment.

For finishes, electrical details and compatibility see Electric Locking Information appendix.

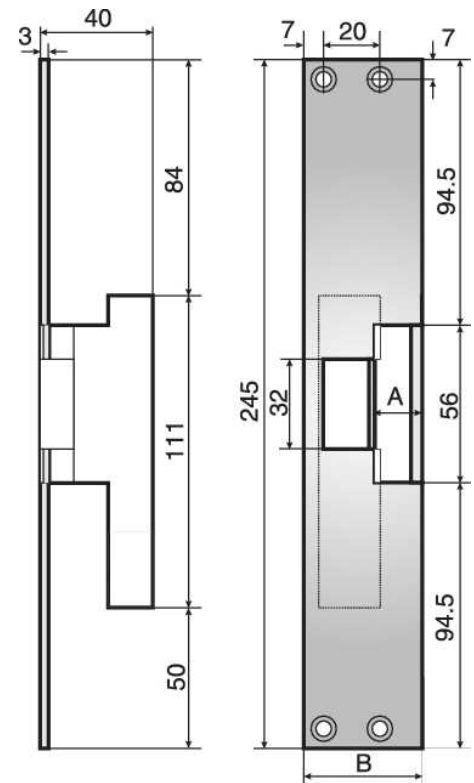
Changing the mode is achieved by loosening a screw, sliding it to the alternate position, and re-fastening.

Specification:

Continuous duty AC or DC

Fail-locked or fail-unlocked

The strike may be set to either open when the current is on and lock automatically when the current is switched off (fail locked) or be closed as long as the current is on and open automatically when the current is switched off (fail unlocked).



Variants:

Code	Description
50382005100	75 MULTI STRIKE BODY (12/24V)701.500-Q31

575

Electric strike

Application:

Suitable for almost any situation. Will accept a wide range of power inputs. Faceplates 730 and 731 may be used with locks with a separate mechanical deadbolt, giving increased physical security controlled by keyholders when needed.

Body and faceplate are made from high grade steel.

Tested to 1,500,000 operations.

HIGH strength - resists 700kg sidepressure on the staple.

Can be used with both left and right hand doors without adjustment.

For finishes, electrical details and compatibility see Electric Locking Information appendix.

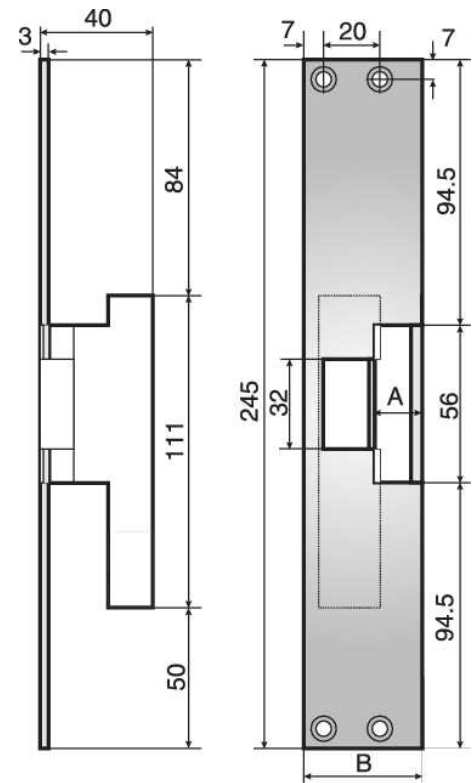
Changing the mode is achieved by loosening a screw, sliding it to the alternate position, and re-fastening.

Specification:

**Continuous duty AC or DC
Fail-locked or fail-unlocked
with built-in microswitch**

The strike may be set to either open when the current is on and lock automatically when the current is switched off (fail locked) or be closed as long as the current is on and open automatically when the current is switched off (fail unlocked).

A microswitch monitors the latchbolt engagement.



Variants:

Code	Description
50383005100	575 MULTI STRIKE BODY 12/24V 701.560-Q31

Universal strikes

F/P NO 730, 731, 733, 740, 741, 742, 743

Faceplates

ASSA ABLOY

Application:

Suitable for almost any situation. Will accept a wide range of power inputs. Faceplates 730 and 731 may be used with locks with a separate mechanical deadbolt, giving increased physical security controlled by keyholders when needed.

Body and faceplate are made from high grade steel.

Tested to 1,500,000 operations.

HIGH strength - resists 700kg sidepressure on the staple.

Can be used with both left and right hand doors without adjustment.

For finishes, electrical details and compatibility see Electric Locking Information appendix.

Changing the mode is achieved by loosening a screw, sliding it to the alternate position, and re-fastening.



Specification:

Faceplate 732

Suitable for timber frames.

Faceplate 730

Suitable for timber frames. Electric locking function may be supplemented by a mechanical deadbolt.

Faceplate 731*

Suitable for metal frames. Electric locking function may be supplemented by a mechanical deadbolt.

* Alternative sizes available see table.

Finish:

Faceplate Ref	A	B
731/17 or 733/17	17	42
731/20 or 733/20	20	45
731/26 or 733/26	26	51

Variants:

Code	Description
50530005757	FACEPLATE NO. 730 FOR 75 SERIES STRIKES
50531000057	FACEPLATE NO 731/26 FOR 75 SERIES STRIKE
50531100057	FACEPLATE NO 731/20 FOR 75 SERIES STRIKE
50531200057	FACEPLATE NO 731/17 FOR 75 SERIES STRIKE
50532000057	FACEPLATE NO. 732 FOR 75 SERIES STRIKES
50533105757	FACEPLATE NO.733-20 FOR 75 SERIES STRIKE
50533205757	FACEPLATE NO.733-17 FOR 75 SERIES STRIKE

Universal ANSI strikes

ASSA ABLOY

Universal ANSI strikes

75/ANSI

75 ANSI electric strike

ASSA ABLOY

Application:

Suitable for almost any situation. Will accept a wide range of power inputs. ANSI faceplates are compatible with standard locks for narrow section aluminium and steel frames.

Supplied fitted with either faceplate ANSI-S or ANSI-L. Body and faceplate are made from high grade steel.

Tested to 1,500,000 operations.

HIGH strength - resists 700kg sidepressure on the staple.

Can be used with both left and right hand doors without adjustment.



Specification:

Continuous duty AC or DC

Fail-locked or fail-unlocked

The strike may be set to either open when the current is on and lock automatically when the current is switched off (fail locked) or be closed as long as the current is on and open automatically when the current is switched off (fail unlocked). Switchable 12V and 24V operation.

Changing the mode is achieved by loosening a screw, sliding it to the alternate position, and re-fastening.

Variants:

Code	Description
10457200000	75/ANSI-SHORT E/S PN:75-54U-87735Q31 31

Universal ANSI strikes

575/ANSI

575 ANSI electric strike

Application:

Suitable for almost any situation. Will accept a wide range of power inputs. ANSI faceplates are compatible with standard locks for narrow section aluminium and steel frames.

Supplied fitted with either faceplate ANSI-S or ANSI-L. Body and faceplate are made from high grade steel.

Tested to 1,500,000 operations.

HIGH strength - resists 700kg sidepressure on the staple.

Can be used with both left and right hand doors without adjustment.

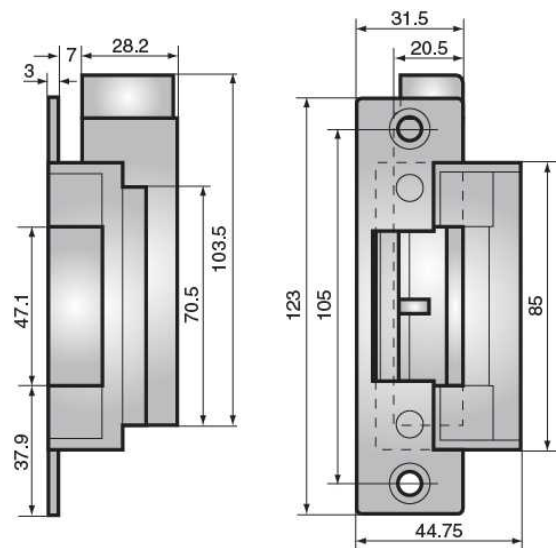
Specification:

**Continuous duty AC or DC
Fail-locked or fail-unlocked
with built-in microswitch**

The strike may be set to either open when the current is on and lock automatically when the current is switched off (fail locked) or be closed as long as the current is on and open automatically when the current is switched off (fail unlocked). Switchable 12V and 24V operation.

Changing the mode is achieved by loosening a screw, sliding it to the alternate position, and re-fastening.

A microswitch monitors the latchbolt engagement.



Variants:

Code	Description
10457500000	575/ANSI-LONG E/S PN:75-54UR87935Q31 31
10457400000	575/ANSI-SHORT E/S PN:75-54UR87735Q31 31

Universal ANSI strikes

Alternative faceplate

Alternative faceplate

Application:

Suitable for almost any situation. Will accept a wide range of power inputs. ANSI faceplates are compatible with standard locks for narrow section aluminium and steel frames.

Supplied fitted with either faceplate ANSI-S or ANSI-L. Body and faceplate are made from high grade steel.

Tested to 1,500,000 operations.

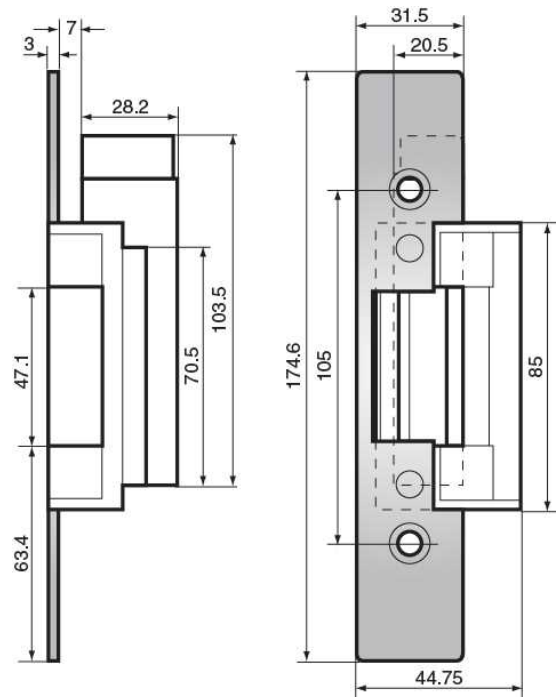
HIGH strength - resists 700kg sidepressure on the staple.

Can be used with both left and right hand doors without adjustment.

Specification:

ANSI-L faceplate

Longer faceplate, suitable for narrow section steel or aluminium frames.



Medium security - fail locked

ASSA ABLOY

Medium security - fail locked

14E

Electric strike

ASSA ABLOY

Application:

For use in access control where reliability is a major consideration but where the very high physical strength of SOLID High Security Strikes is not required. For example: computer rooms, plant rooms, laboratories or other specially designated areas of restricted access.

Supplied fitted with either faceplate 505, 510, 5 or 10. Faceplate and pivoting staple are manufactured from high grade steel.

Tested to 1,000,000 operations.

MEDIUM strength - resists 450kg sidepressure on the pivoting staple.

Can be used with both left and right hand doors without adjustment.



Specification:

DC continuous duty fail-locked

The strike opens when the current is on and locks automatically when the current is switched off.

Variants:

Code	Description
10003020857	14/5 12V ELECTRIC STRIKE (M/D)
10003220857	14/10 12V ELECTRIC STRIKE (M/D)
10038720857	14/510 12V ELECTRIC STRIKE (M/D)
10039120857	14/505 12V ELECTRIC STRIKE (M/D)
50102020057	14E 12V BODY S/S ONLY - 14.500-E31

Medium security - fail locked

514E

Electric strike

Application:

For use in access control where reliability is a major consideration but where the very high physical strength of SOLID High Security Strikes is not required. For example: computer rooms, plant rooms, laboratories or other specially designated areas of restricted access.

Supplied fitted with either faceplate 505, 510, 5 or 10. Faceplate and pivoting staple are manufactured from high grade steel.

Tested to 1,000,000 operations.

MEDIUM strength - resists 450kg sidepressure on the pivoting staple.

Can be used with both left and right hand doors without adjustment.



Specification:

DC continuous duty fail-locked with built-in microswitch

The strike opens when the current is on and locks automatically when the current is switched off.

A microswitch monitors the latchbolt engagement.

Variants:

Code	Description
10004220857	514/5 12V ELECTRIC STRIKE (M/D)
10004420857	514/10 12V ELECTRIC STRIKE (M/D)
10038820857	514/510 12V ELECTRIC STRIKE (M/D)
10039220857	514/505 12V ELECTRIC STRIKE (M/D)
50112020057	514E 12V BODY S/S ONLY 14.560-E31

Medium security - fail locked

Alternative faceplates

Alternative faceplates

Application:

For use in access control where reliability is a major consideration but where the very high physical strength of SOLID High Security Strikes is not required. For example: computer rooms, plant rooms, laboratories or other specially designated areas of restricted access.

Supplied fitted with either faceplate 505, 510, 5 or 10. Faceplate and pivoting staple are manufactured from high grade steel.

Tested to 1,000,000 operations.

MEDIUM strength - resists 450kg sidepressure on the pivoting staple.

Can be used with both left and right hand doors without adjustment.

Specification:

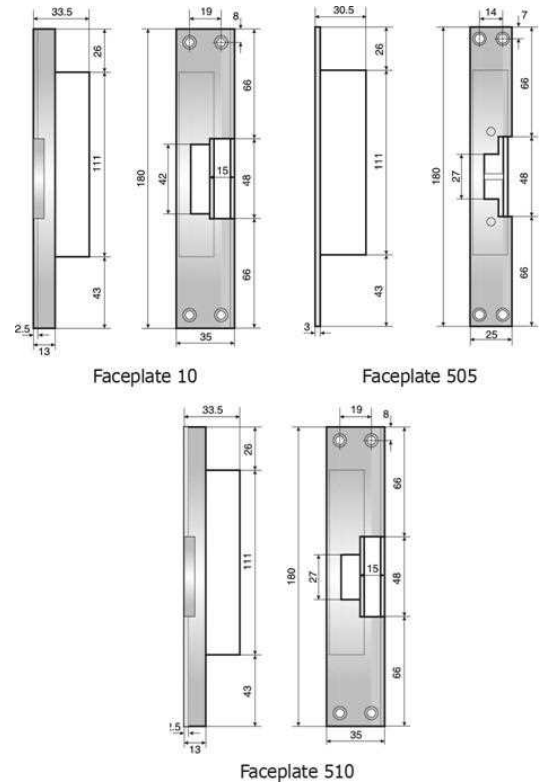
Faceplate 505 is recommended for metal or PVC door frames of non-standard thickness.

Faceplate 510 features a wrap-around faceplate for added strength suitable for wooden frames.

Faceplates 5 and 10 are versions of the 505 and 510 (respectively) with a wider mouth, to suit non-ASSA locks.

Variants:

Code	Description
50505020057	FACEPLATE NO 5 (M/D) !S/S USE ONLY!
50505220057	FACEPLATE NO 505 (M/D) !S/S USE ONLY!
50510020057	FACEPLATE NO 10 (M/D) !S/S USE ONLY!
50510220057	FACEPLATE NO 510 (M/D) !S/S USE ONLY!



Medium security - fail unlocked

ASSA ABLOY

Medium security - fail unlocked

114A

Electric strike

Application:

For use in access control where the security requirement must be balanced with the need for safety. For example computer rooms, plant rooms, laboratories or other specially designated areas of restricted access, particularly where quick evacuation or access in an emergency may be necessary.

Supplied fitted with either faceplate 505, 510, 5 or 10. Faceplate and pivoting staple are manufactured from high grade steel.

Tested to 1,000,000 operations.

MEDIUM strength - resists 450kg sidepressure on the pivoting staple.

Can be used with both left and right hand doors without adjustment.



Specification:

DC continuous duty fail-unlocked

The strike is closed as long as the current is on and opens automatically when the current is switched off.

Variants:

Code	Description
10003620857	114/5 12V ELECTRIC STRIKE (M/D)
10003820857	114/10 12V ELECTRIC STRIKE (M/D)
10038920857	114/510 12V ELECTRIC STRIKE (M/D)
10039320857	114/505 12V ELECTRIC STRIKE (M/D)
50122020057	114A 12V BODY S/S ONLY 34.500-E91

Medium security - fail unlocked

ASSA ABLOY

5114A

Electric strike

Application:

For use in access control where the security requirement must be balanced with the need for safety. For example computer rooms, plant rooms, laboratories or other specially designated areas of restricted access, particularly where quick evacuation or access in an emergency may be necessary.

Supplied fitted with either faceplate 505, 510, 5 or 10. Faceplate and pivoting staple are manufactured from high grade steel.

Tested to 1,000,000 operations.

MEDIUM strength - resists 450kg sidepressure on the pivoting staple.

Can be used with both left and right hand doors without adjustment.



Specification:

DC continuous duty fail-unlocked with built-in microswitch

The strike is closed as long as the current is on and opens automatically when the current is switched off. A microswitch monitors the latchbolt engagement.

Variants:

Code	Description
10004820857	5114/5 12V ELECTRIC STRIKE (M/D)
10005220857	5114/10 12V ELECTRIC STRIKE (M/D)
10039020857	5114/510 12V ELECTRIC STRIKE (M/D)
10039420857	5114/505 12V ELECTRIC STRIKE (M/D)
50132020057	5114A 12V BODY S/S ONLY 34.560-E91

Medium security - fail unlocked

Alternative faceplates

Alternative faceplates

Application:

For use in access control where the security requirement must be balanced with the need for safety. For example computer rooms, plant rooms, laboratories or other specially designated areas of restricted access, particularly where quick evacuation or access in an emergency may be necessary.

Supplied fitted with either faceplate 505, 510, 5 or 10. Faceplate and pivoting staple are manufactured from high grade steel.

Tested to 1,000,000 operations.

MEDIUM strength - resists 450kg sidepressure on the pivoting staple.

Can be used with both left and right hand doors without adjustment.

Specification:

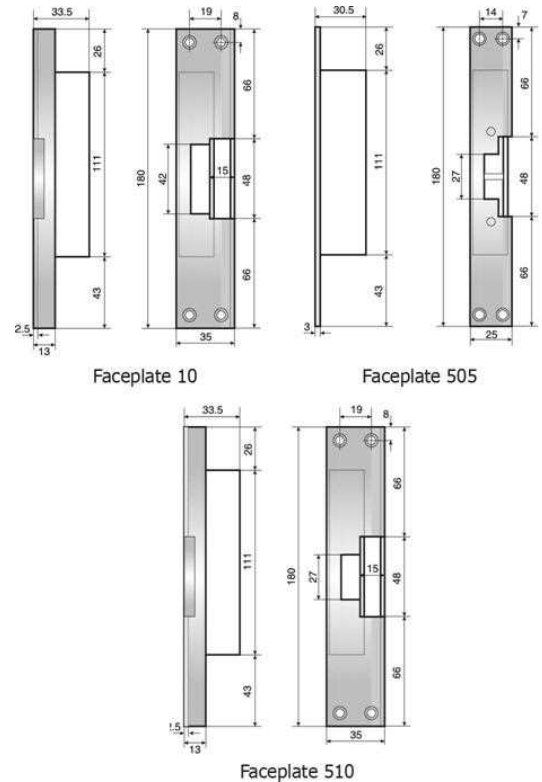
Faceplate 505 is recommended for metal or PVC door frames of non-standard thickness.

Faceplate 510 features a wrap-around faceplate for added strength suitable for wooden frames.

Faceplates 5 and 10 are versions of the 505 and 510 (respectively) with a wider mouth, to suit non-ASSA locks.

Variants:

Code	Description
50505020057	FACEPLATE NO 5 (M/D) !S/S USE ONLY!
50505220057	FACEPLATE NO 505 (M/D) !S/S USE ONLY!
50510020057	FACEPLATE NO 10 (M/D) !S/S USE ONLY!
50510220057	FACEPLATE NO 510 (M/D) !S/S USE ONLY!



Strikes for Euro locks

ASSA ABLOY

Strikes for Euro locks

17E

Electric strike

ASSA ABLOY

Application:

For use in access control where reliability is a major consideration but where very high physical strength is not required. For example: computer rooms, plant rooms, laboratories or other specially designated areas of restricted access. for use with the D450 Euro lock range.

Supplied fitted with either Short or Long faceplate. Faceplate and pivoting staple are manufactured from high grade steel.

MEDIUM strength - resists 350kg sidepressure on the pivoting staple.

Can be used with both left and right hand doors without adjustment.



Specification:

DC continuous duty fail-locked

The strike opens when the current is on and locks automatically when the current is switched off.

Manual Override.

Variants:

Code	Description
10468500031	17E/LONG EURO 12V F/L 17E-50435E41 31
10469300031	17E/SHORT EURO 12V F/L 17E-09635E41 31

Strikes for Euro locks

517E

Electric strike

Application:

For use in access control where reliability is a major consideration but where very high physical strength is not required. For example: computer rooms, plant rooms, laboratories or other specially designated areas of restricted access. for use with the D450 Euro lock range.

Supplied fitted with either Short or Long faceplate. Faceplate and pivoting staple are manufactured from high grade steel.

MEDIUM strength - resists 350kg sidepressure on the pivoting staple.

Can be used with both left and right hand doors without adjustment.

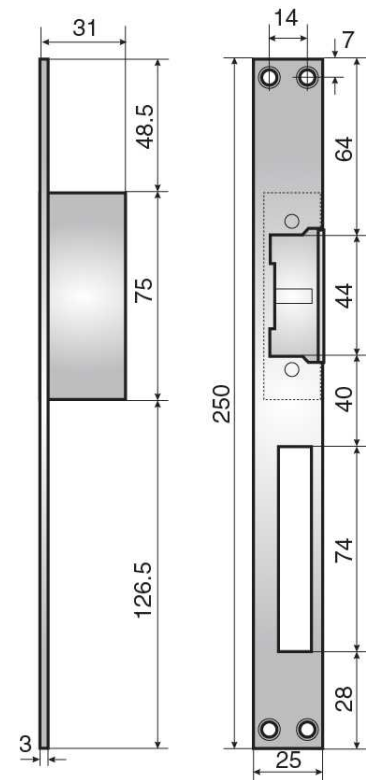
Specification:

DC continuous duty fail-locked, with built-in microswitch

The strike opens when the current is on and locks automatically when the current is switched off.

A microswitch monitors the latchbolt engagement.

Manual override.



Variants:

Code	Description
10468600031	517E/LONG EURO 12V F/L 17RRE-50435E41 31

Strikes for Euro locks

37A

Electric strike

ASSA ABLOY

Application:

For use in access control where reliability is a major consideration but where very high physical strength is not required. For example: computer rooms, plant rooms, laboratories or other specially designated areas of restricted access. for use with the D450 Euro lock range.

Supplied fitted with either Short or Long faceplate. Faceplate and pivoting staple are manufactured from high grade steel.

MEDIUM strength - resists 350kg sidepressure on the pivoting staple.

Can be used with both left and right hand doors without adjustment.



Specification:

DC continuous duty fail-unlocked

The strike is closed as long as the current is on and opens automatically when the current is switched off.

Manual override.

Variants:

Code	Description
10468900031	37/LONG EURO 12V F/U 37-50435E91 31
10469700031	37/SHORT EURO 12V F/U 37-09635E91 31

Strikes for Euro locks

537A

Electric strike

Application:

For use in access control where reliability is a major consideration but where very high physical strength is not required. For example: computer rooms, plant rooms, laboratories or other specially designated areas of restricted access. for use with the D450 Euro lock range.

Supplied fitted with either Short or Long faceplate. Faceplate and pivoting staple are manufactured from high grade steel.

MEDIUM strength - resists 350kg sidepressure on the pivoting staple.

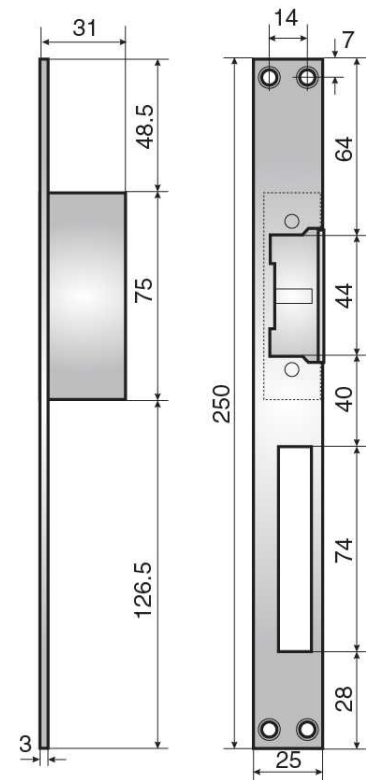
Can be used with both left and right hand doors without adjustment.

Specification:

DC continuous duty fail-unlocked with built-in microswitch

The strike is closed as long as the current is on and opens automatically when the current is switched off. A microswitch monitors the latchbolt engagement.

Manual override.



Variants:

Code	Description
10469000031	537/LONG EURO 12V F/U 37RR-50435E91 31

Application:

Please find below a selection of the electric strike accessories.

Variants:

Code	Description
50624000057	FACEPLATE FOR RETROFIT OF 824 H/S STRIKE
50624100057	FACEPLATE TO MASK PREVIOUS 824 INSTALL
50610000057	FACEPLATE TO MASK PREVIOUS 510 INSTALL
50610200057	FACEPLATE FOR RETROFIT OF 510 M/S STRIKE

ASSA 900 Series Electric Strikes **ASSA ABLOY**

ASSA 900 Series Electric Strikes

ASSA ABLOY

ASSA 900 Strike Body

ASSA 900 Strike Body

Application:

ASSA 900 series electric strikes are ideal for doors with standard security requirements.

They are suitable for interior applications within education, commercial, health, industrial and residential premises.

Specification:

- For internal door use.
- Fully compatible with ASSA's range of ASSA Modular and Connect lockcases.
- Dual voltage 12-24V AC/DC.
- Morticing dimensions are the same for all electric strike bodies.
- Optional latch bolt engagement monitoring.
- Symmetrical design to fit Scandinavian double latch locks.
- Reversible and unhandled.
- Holding strength of 600kg/6kN.
- Steel housing and steel pivoting staple.
- Impact and shockproof design.
- Built-in transient protection against back EMF.
- 5 year guarantee.



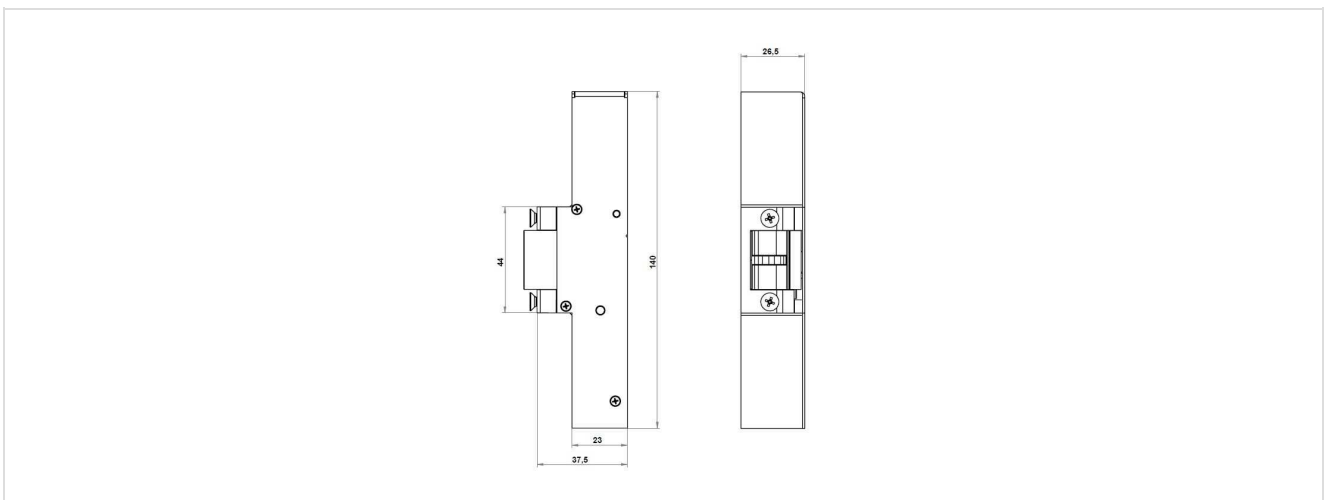
Finish:

Stainless Steel

Standards:

- CE Marked and approved for use with other electrical devices.
- Meets requirements of BS EN14846.
- DoC available at www.assa.co.uk/dop.

Technical Design:



ASSA 900 Series Electric Strikes

ASSA ABLOY

ASSA 900 Strike Body

ASSA 900 Strike Body

Variants:

Code	Description
900107000	ASSA 900 STRIKE BODY 12/24V MULTI-FUNCTION
900437000	ASSA 900M STRIKE BODY 12/24V MULTI-FUNCTION

ASSA 900 Series Electric Strikes

ASSA ABLOY

ASSA 910 Strike Body

ASSA 910 Strike Body

Application:

ASSA 910 series electric strikes are ideal for doors with standard security requirements. They are suitable for both perimeter security and interior applications within education, commercial, health, industrial and residential premises.

Specification:

- For internal or external door use.
- Fully compatible with ASSA's range of ASSA Modular and Connect lockcases.
- Dual voltage 12-24V AC/DC.
- Morticing dimensions are the same for all electric strike bodies.
- Optional latch bolt engagement monitoring.
- Symmetrical design to fit Scandinavian double latch locks.
- Reversible and unhande
- Holding strength of 700kg/7kN.
- Steel housing and steel pivoting staple.
- Impact and shockproof design.
- Pre-load technology.
- Built-in transient protection against back EMF.
- 5 year guarantee.



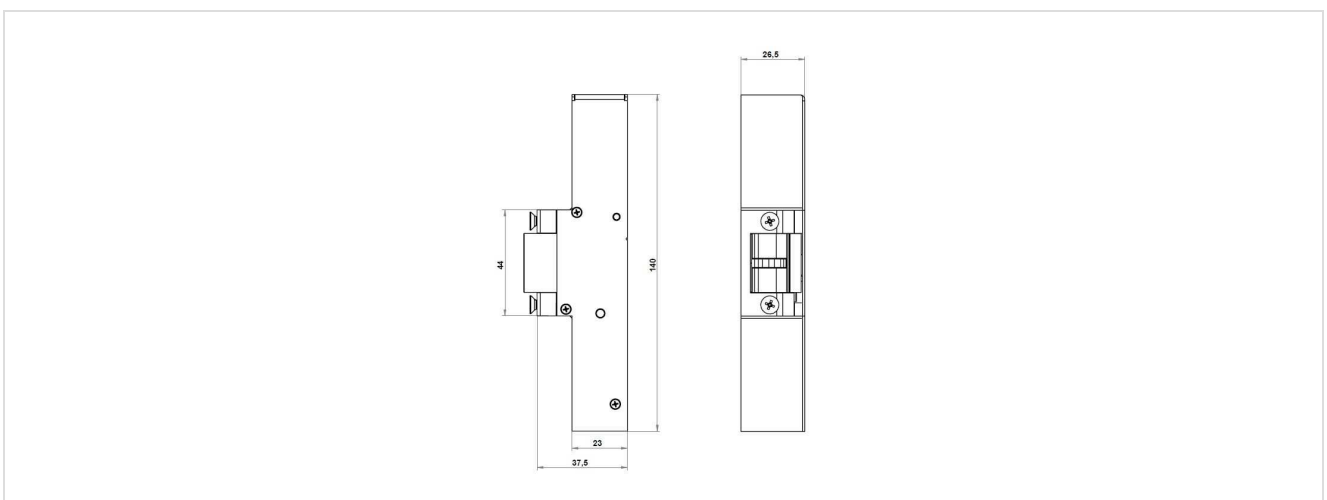
Standards:

- CE Marked and approved for use with other electrical devices.
- Meets requirements of BS EN14846.
- DoC available at www.assa.co.uk/dop.

Finish:

Stainless steel

Technical Design:



ASSA 900 Series Electric Strikes

ASSA ABLOY

ASSA 910 Strike Body

ASSA 910 Strike Body

Variants:

Code	Description
910107000	ASSA 910 STRIKE BODY 12/24V FAIL SECURE 720.500-----Q31
910437000	ASSA 910M STRIKE BODY 12/24V FAIL SECURE 720.560-----Q31

ASSA 900 Series Electric Strikes

ASSA ABLOY

ASSA 911 Strike Body

ASSA 911 Strike Body

Application:

ASSA 911 electric strikes are ideal for doors with standard security requirements.

They are suitable for both perimeter security and interior applications within education, commercial, health, industrial and residential premises.

Specification:

- For internal or external door use.
- Fully compatible with ASSA's range of ASSA Modular and Connect lockcases.
- Dual voltage 12-24V AC/DC.
- Morticing dimensions are the same for all electric strike bodies.
- Optional latch bolt engagement monitoring.
- Symmetrical design to fit Scandinavian double latch locks.
- Reversible and unhande
- Holding strength of 700kg/7kN.
- Steel housing and steel pivoting staple.
- Impact and shockproof design.
- Pre-load technology.
- Built-in transient protection against back EMF.
- 5 year guarantee.



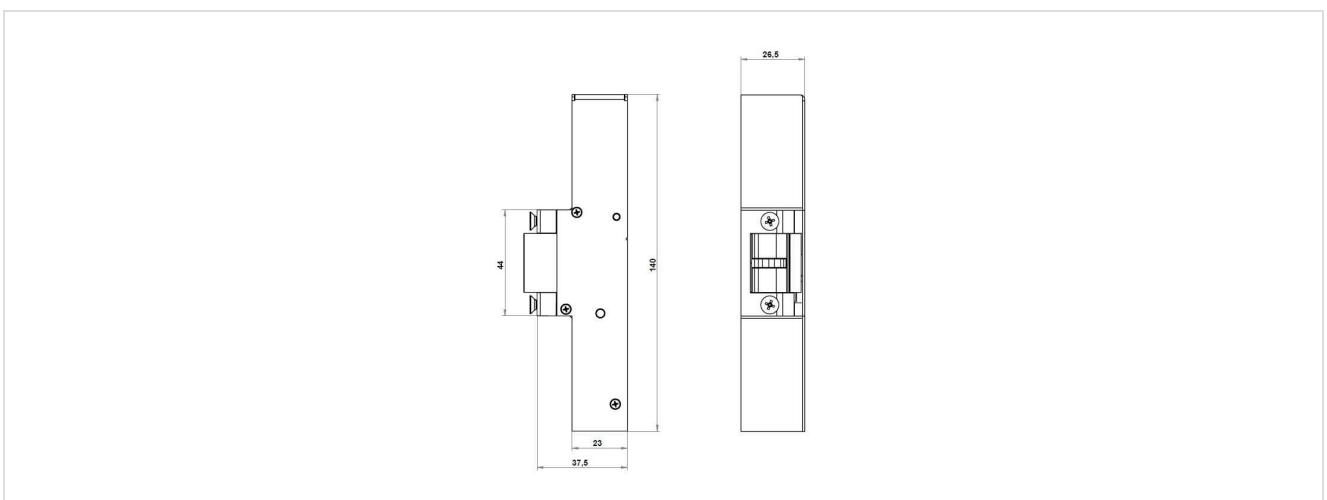
Standards:

- CE Marked and approved for use with other electrical devices.
- Meets requirements of BS EN14846.
- DoC available at www.assa.co.uk/dop.

Finish:

Stainless steel

Technical Design:



ASSA 900 Series Electric Strikes

ASSA ABLOY

ASSA 911 Strike Body

ASSA 911 Strike Body

Variants:

Code	Description
911107000	ASSA 911 STRIKE BODY 12/24V FAIL SAFE
911437000	ASSA 911M STRIKE BODY 12/24V FAIL SAFE

ASSA 900 Series Electric Strikes

ASSA ABLOY

ASSA 920 Strike Body

ASSA 920 Strike Body

Application:

ASSA 920 electric strikes are ideal for doors with high security requirements.

They are suitable for both perimeter security and interior applications within education, commercial, health, industrial and residential premises. They are particularly suitable for use on metal fire doors.

Specification:

- For internal or external door use.
- Fully compatible with ASSA's range of ASSA Modular and Connect lockcases.
- Dual voltage 12-24V AC/DC.
- Morticing dimensions are the same for all electric strike bodies.
- Optional latch bolt engagement monitoring.
- Symmetrical design to fit Scandinavian double latch locks.
- Reversible and unhande
- Holding strength of 1000kg/10kN.
- Steel housing and steel pivoting staple.
- Impact and shockproof design.
- Pre-load technology.
- Built-in transient protection against back EMF.
- 5 year guarantee.



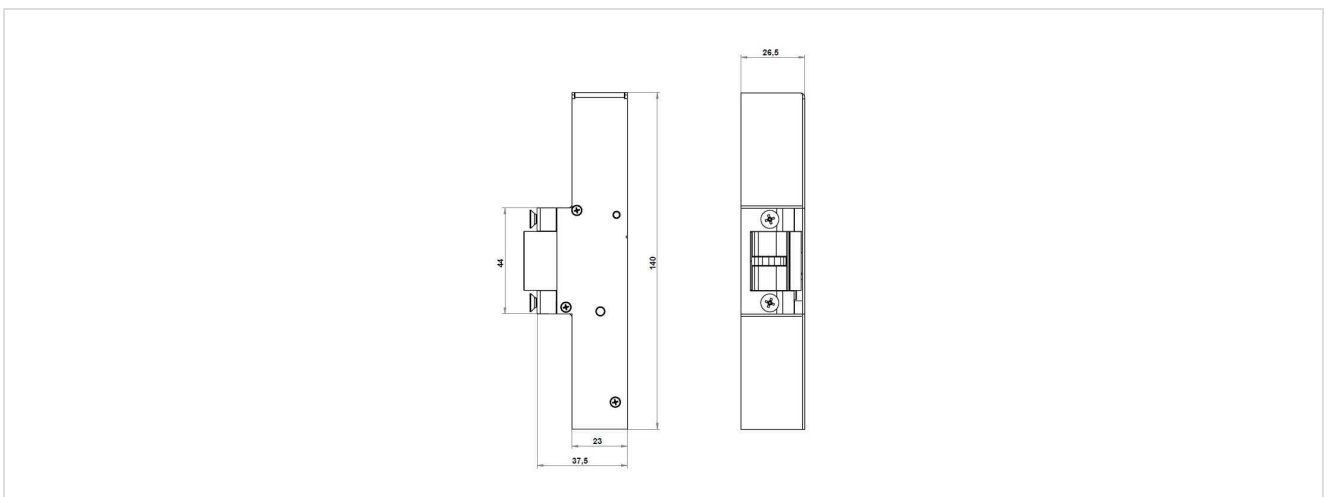
Finish:

Stainless steel

Standards:

- CE Marked and approved for use with other electrical devices.
- Meets requirements of BS EN14846.
- Fire rated for up to 60 minutes for metal fire doors.
- DoP and DoC available at www.assa.co.uk/dop.

Technical Design:



ASSA 900 Series Electric Strikes

ASSA ABLOY

ASSA 920 Strike Body

ASSA 920 Strike Body

Variants:

Code	Description
920107000	ASSA 920 STRIKE BODY 12/24V FAIL SECURE CE 740.500-----Q31
920437000	ASSA 920M STRIKE BODY 12/24V FAIL SECURE CE 740.560-----Q31

ASSA 900 Series Electric Strikes

ASSA ABLOY

ASSA 960 Strike Body

ASSA 960 Strike Body

Application:

ASSA 960 and 961 electric strikes are ideal for doors with very high security requirements.

They are suitable for both perimeter security and interior applications within education, commercial, health, industrial and residential premises. The 960 electric strikes are particularly suitable for use on metal fire doors.

Specification:

- For internal or external door use.
- Fully compatible with ASSA's range of ASSA Modular and Connect lockcases.
- Dual voltage 12-24V AC/DC.
- Morticing dimensions are the same for all electric strike bodies.
- Optional latch bolt engagement monitoring.
- Symmetrical design to fit Scandinavian double latch locks.
- Reversible and unhande
- Holding strength of 1000kg/10kN.
- Steel housing and steel pivoting staple.
- Impact and shockproof design.
- Pre-load technology.
- Built-in transient protection against back EMF.
- 5 year guarantee.



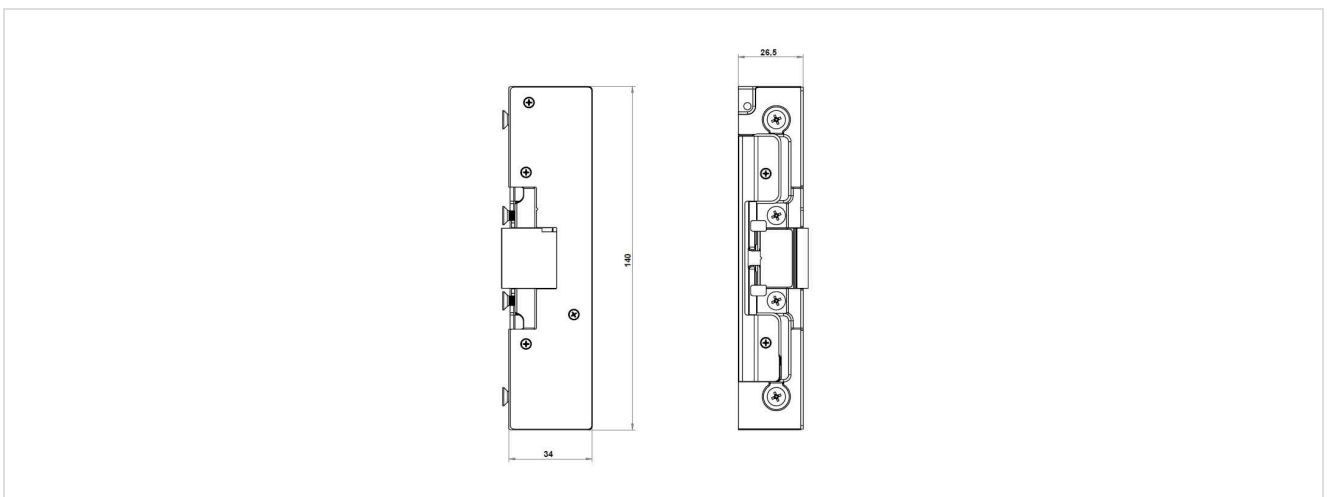
Finish:

Stainless steel

Standards:

- CE Marked and approved for use with other electrical devices.
- Meets requirements of BS EN14846.
- 960 electric strike fire rated for up to 60 minutes for metal fire doors.
- DoP (960) and DoC available at www.assa.co.uk/dop.

Technical Design:



ASSA 900 Series Electric Strikes

ASSA ABLOY

ASSA 960 Strike Body

ASSA 960 Strike Body

Variants:

Code	Description
960437000	ASSA 960 STRIKE BODY 12/24V FAIL SECURE
961437000	ASSA 961 STRIKE BODY 12/24V FAIL SAFE

ASSA 900 Series Electric Strikes

ASSA ABLOY

ASSA Face Plate for 900 Series E/S

ASSA Face Plate for 900 Series E/S

Application:

All faceplates are compatible with any 900 series strike body. Together this combination can be used in a wide range of applications, including: social housing, banking, defence, infrastructure, military, government and institutional buildings.

Specification:

Suitable for steel, aluminium and wooden door frames.

Finish:

Stainless Steel.



Standards:

N/A

Variants:

Code	Description
930100031	ASSA FACEPLATE NO 930 FOR 900 SERIES
930T100031	ASSA FACEPLATE NO 930T FOR 900 SERIES
980100031	ASSA FACEPLATE NO 980 FOR 900 SERIES
93117100031	ASSA FACEPLATE NO 931-17 FOR 900 SERIES
93120100031	ASSA FACEPLATE NO 931-20 FOR 900 SERIES
93126100031	ASSA FACEPLATE NO 931-26 FOR 900 SERIES
932100031	ASSA FACEPLATE NO 932 FOR 900 SERIES
932T100031	ASSA FACEPLATE NO 932T FOR 900 SERIES
93317100031	ASSA FACEPLATE NO 933-17 FOR 900 SERIES
93320100031	ASSA FACEPLATE NO 933-20 FOR 900 SERIES
93326100031	ASSA FACEPLATE NO 933-26 FOR 900 SERIES
94872100031	ASSA FACEPLATE NO 9487-2 FOR 900 SERIES
94873100031	ASSA FACEPLATE NO 9487-3 FOR 900 SERIES
94874100031	ASSA FACEPLATE NO 9487-4 FOR 900 SERIES



**Connect solenoid handle - night
latches**

ASSA ABLOY

Connect solenoid handle - night latch **ASSA ABLOY**

884

884 split follower nightlatch

Application:

Particularly suitable for use in high-traffic areas where both reliability and security are major considerations. The locks with hookbolts provide increased night-time security while the split follower locks also feature single-action exit.

Supplied with high security striking plate, cable, Classic split spindles and manual. Recommended specification includes manual override using cylinders, or emergency accessories. Note that a door loop is required.

Bolt reversible without opening lockcase. Split follower locks can be controlled electronically or mechanically from either side.

For finishes, electrical details and accessories see Electric Locking Information appendix.



Specification:

Latchbolt operated by lever handles once a correct opening signal has been received. Key or thumbturn will also operate latch. Latch is automatically deadlocked when the door is closed. Interior lever handle will always operate latchbolt, permitting single-action escape.

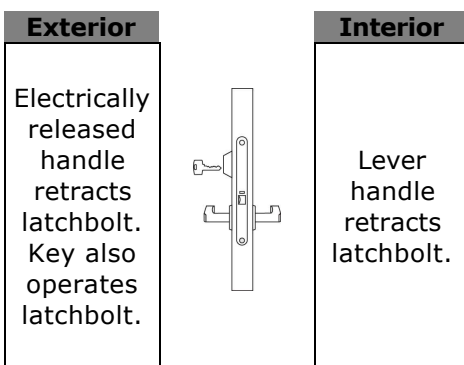
Available with either 50mm or 70mm backset. Latchbolt is reversible.

Supplied fail locked and manual operation both sides may be converted on site to fail unlocked and/or electronic operation (either side).

Microswitch monitors deadlocking of latchbolt.

Standards:

[PROD4]	1487-2 striking plate High security striking plate supplied as standard. Dimensions 200 x 40 mm.
---------	---



Finish:

Low voltage directive
LVD 73/23/EEC (Protection)

Variants:

Code	Description
35814572357	CONNECT 884 50MM SOLENOID HANDLE LOCKSET
35814672357	CONNECT 884-70 SOLENOID HANDLE LOCKSET

Connect solenoid handle - night latch **ASSA ABLOY**

880

880 nightlatch

Application:

Particularly suitable for use in high-traffic areas where both reliability and security are major considerations. The locks with hookbolts provide increased night-time security while the split follower locks also feature single-action exit.

Supplied with high security striking plate, cable, Classic split spindles and manual. Recommended specification includes manual override using cylinders, or emergency accessories. Note that a door loop is required.

Bolt reversible without opening lockcase. Split follower locks can be controlled electronically or mechanically from either side.

For finishes, electrical details and accessories see Electric Locking Information appendix.



Specification:

Latchbolt operated by lever handles once a correct opening signal has been received. Key or thumbturn will also operate latch. Latch is automatically deadlocked when the door is closed.

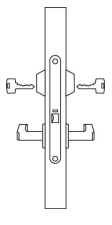
Both handles are electrically controlled; exit from interior is only possible electronically or by using the key/thumbturn override.

Available with either 50mm or 70mm backset. Latchbolt is reversible.

Supplied fail locked and electronic operation both sides may be converted on site to fail unlocked. Microswitch monitors deadlocking of latchbolt.

Standards:

[PROD4]	1487-2 striking plate High security striking plate supplied as standard. Dimensions 200 x 40 mm.
---------	---

Exterior		Interior
Electrically released handle retracts latchbolt. Key also operates latchbolt.		Electrically released handle retracts latchbolt.

Finish:

Low voltage directive
LVD 73/23/EEC (Protection)

Variants:

Code	Description
35814172357	CONNECT 880 50MM SOLENOID HANDLE LOCKSET
35814272357	CONNECT 880 70MM SOLENOID HANDLE LOCKSET

Connect solenoid handle - sash lock ASSA ABLOY

Connect solenoid handle - sash lock **ASSA ABLOY**

885

885 split follower sash lock

Application:

Particularly suitable for use in high-traffic areas where both reliability and security are major considerations. The locks with hookbolts provide increased night-time security while the split follower locks also feature single-action exit.

Supplied with high security striking plate, cable, Classic split spindles and manual. Recommended specification includes manual override using cylinders, or emergency accessories. Note that a door loop is required.

Bolt reversible without opening lockcase. Split follower locks can be controlled electronically or mechanically from either side.

For finishes, electrical details and accessories see Electric Locking Information appendix.



Specification:

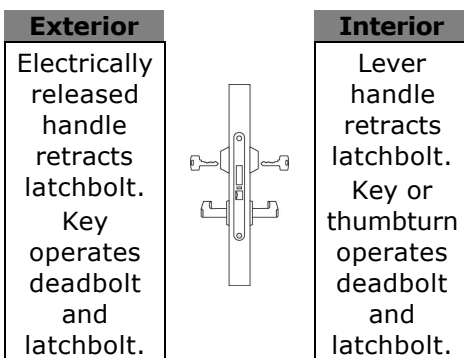
Latchbolt operated by lever handles once a correct opening signal has been received. Key or thumbturn will also operate latch. Latch is automatically deadlocked when the door is closed. Interior lever handle will always operate latchbolt, permitting single-action escape. Hardened steel hookbolt thrown 23.5mm by 90 turn of key or thumbturn. Available with either 50mm or 70mm backset. Latchbolt is reversible.

Supplied fail locked and manual operation both sides may be converted on site to fail unlocked and/or electronic operation (either side).

Microswitches monitor deadlocking of latchbolt and position of deadbolt

Standards:

[PROD4]	<p>1487-2 striking plate High security striking plate supplied as standard. Dimensions 200 x 40 mm.</p>
---------	--



Finish:

Low voltage directive
LVD 73/23/EEC (Protection)

Connect solenoid handle - sash lock **ASSA ABLOY**

885

885 split follower sash lock

Variants:

Code	Description
35814772357	CONNECT 885-50 SOLENOID HANDLE LOCKSET
35814872357	CONNECT 885-70 SOLENOID HANDLE LOCKSET

Connect solenoid handle - sash lock **ASSA ABLOY**

881

881 sash lock

Application:

Particularly suitable for use in high-traffic areas where both reliability and security are major considerations. The locks with hookbolts provide increased night-time security while the split follower locks also feature single-action exit.

Supplied with high security striking plate, cable, Classic split spindles and manual. Recommended specification includes manual override using cylinders, or emergency accessories. Note that a door loop is required.

Bolt reversible without opening lockcase. Split follower locks can be controlled electronically or mechanically from either side.

For finishes, electrical details and accessories see Electric Locking Information appendix.

Specification:

Latchbolt operated by lever handles once a correct opening signal has been received. Key or thumbturn will also operate latch. Latch is automatically deadlocked when the door is closed. Hardened steel hookbolt thrown 23.5mm by 90 turn of key or thumbturn.

Both handles are electrically controlled exit from interior is only possible electronically or by using the key/thumbturn override.

Available with either 50mm or 70mm backset. Latchbolt is reversible.

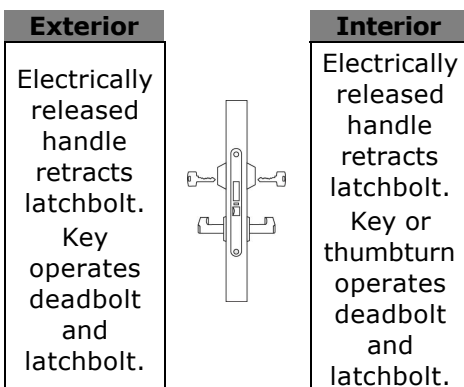
Supplied fail locked and electronic operation both sides may be converted on site to fail unlocked.

Microswitches monitor deadlocking of latchbolt and position of deadbolt.



Standards:

[PROD4]	1487-2 striking plate High security striking plate supplied as standard. Dimensions 200 x 40 mm.
---------	---



Finish:

Low voltage directive
LVD 73/23/EEC (Protection)

Connect solenoid handle - sash lock **ASSA ABLOY**

881

881 sash lock

Variants:

Code	Description
35814472357	CONNECT 881 70MM SOLENOID HANDLE LOCKSET

**Connect solenoid handle - escape ASSA ABLOY
lock**

Connect solenoid handle - escape lock **ASSA ABLOY**

886

886 escape split follower sash lock

Application:

Particularly suitable for use in high-traffic areas where both reliability and security are major considerations. The locks with hookbolts provide increased night-time security while the split follower locks also feature single-action exit.

Supplied with high security striking plate, cable, Classic split spindles and manual. Recommended specification includes manual override using cylinders, or emergency accessories. Note that a door loop is required.

Bolt reversible without opening lockcase. Split follower locks can be controlled electronically or mechanically from either side.

For finishes, electrical details and accessories see Electric Locking Information appendix.

Specification:

Latchbolt operated by lever handles once a correct opening signal has been received. Key or thumbturn will also operate latch. Latch is automatically deadlocked when the door is closed. Hardened steel hookbolt thrown 23.5mm by 90° turn of key or thumbturn. Internal lever handle retracts both bolts. Supplied with security striking plate.

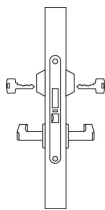
Available with either 50mm or 70mm backset. Latchbolt is reversible.

Supplied fail locked and manual operation both sides may be converted on site to fail unlocked and/or electronic operation (either side).

Microswitches monitor deadlocking of latchbolt, position of deadbolt and use of internal lever handle.

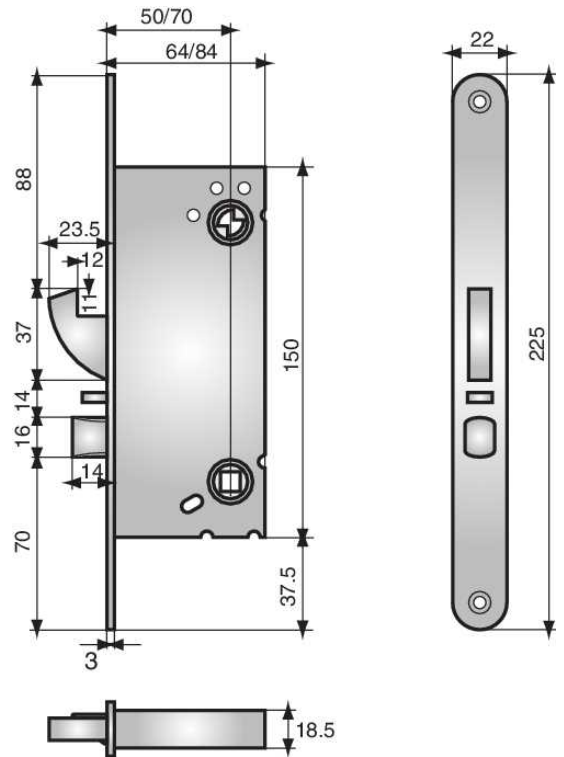
Exterior

Electrically released handle retracts latchbolt. Key operates deadbolt and latchbolt.



Interior

Lever handle retracts latchbolt and deadbolt. Key or thumbturn operates deadbolt and latchbolt.



Standards:

[PROD4]	1487-2 striking plate High security striking plate supplied as standard. Dimensions 200 x 40 mm.
---------	---

Finish:

Low voltage directive
LVD 73/23/EEC (Protection)

Connect solenoid handle - escape lock

886

886 escape split follower sash lock

Variants:

Code	Description
35865072357	CONNECT 886-50 SOLENIOD HANDLE LOCKSET
35928772357	CONNECT 886-70 SOLENOID HANDLE LOCKSET

Connect solenoid handle - escape lock **ASSA ABLOY**

Example of a complete system

Example of a complete system

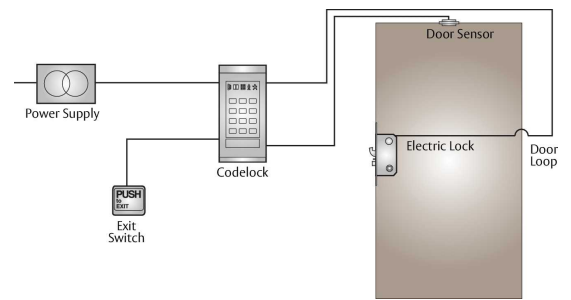
Application:

Particularly suitable for use in high-traffic areas where both reliability and security are major considerations. The locks with hookbolts provide increased night-time security while the split follower locks also feature single-action exit.

Supplied with high security striking plate, cable, Classic split spindles and manual. Recommended specification includes manual override using cylinders, or emergency accessories. Note that a door loop is required.

Bolt reversible without opening lockcase. Split follower locks can be controlled electronically or mechanically from either side.

For finishes, electrical details and accessories see Electric Locking Information appendix.



Specification:

- Solenoid Handle Lock
- Cylinder/Emergency Accessory
- Suitable Handles & Accessories
- Split Spindle to suit
- Door Loop
- Card Reader
- Exit Switch
- Power Supply Unit

Connect serial motor sash lock

ASSA ABLOY

Connect serial motor sash lock

810S

810S sash lock

Application:

For use on premises where a high level of physical security is required, operated from a remote location. Connect is particularly suitable for automatic night-time locking and unattended entrance doors.

Supplied with DAC430 control unit, 6m connecting cable, and high security striking plates with built-in magnet. Recommended specification includes manual override using cylinders, or emergency accessories.

For finishes, electrical details, compatibility and accessories see Electric Locking Information appendix.



Specification:

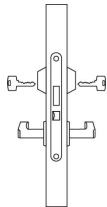
Hardened steel hookbolt thrown 23.5mm by motor or by 90° turn of key or thumbturn.

Available with either 50mm or 70mm backset.

Secure serial encrypted communication between the control unit and the lock.

Incorporates a built-in magnetic door contact which corresponds to a magnet in the 1487-2 high security striking plate.

Exterior
Motor operated deadbolt. Deadbolt may also be retracted by key. Lever handle retracts latchbolt.



Interior
Motor operated deadbolt. Deadbolt may also be retracted by key, thumbturn or emergency accessories. Lever handle retracts latchbolt.

Standards:

[PROD4]	1487-2 striking plate High security striking plate supplied as standard. Dimensions 200 x 40 mm.
---------	---

Finish:

EN 610006-2

EN 50081-1

EN 50081-2

EMC 89/336/EEC

EMC 93/68/EEC

LVD 73/23/EEC (Protection)

**Connect serial motor hook bolt
locks**

ASSA ABLOY

Connect serial motor hook bolt locks **ASSA ABLOY**

811S

811S hookbolt lock

Application:

For use on premises where a high level of physical security is required, operated from a remote location. Connect is particularly suitable for automatic night-time locking and unattended entrance doors.

Supplied with DAC430 control unit, 6m connecting cable, and high security striking plates with built-in magnet. Recommended specification includes manual override using cylinders, or emergency accessories.

For finishes, electrical details, compatibility and accessories see Electric Locking Information appendix.



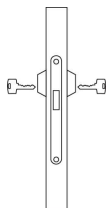
Specification:

Hardened steel hookbolt thrown 23.5mm by motor or by 90° turn of key or thumbturn.

Available with either 50mm or 70mm backset. Secure serial encrypted communication between the control unit and the lock.

Incorporates a built-in magnetic door contact which corresponds to a magnet in the high security striking plate.

Exterior	Interior
<p>Motor operated deadbolt. Deadbolt may also be retracted by key.</p>	<p>Motor operated deadbolt. Deadbolt may also be retracted by key, thumbturn or emergency accessories.</p>



Standards:

[PROD4]	<p>1487-2 striking plate High security striking plate supplied as standard. Dimensions 200 x 40 mm.</p>
---------	--

Variants:

Code	Description
35770072757	CONNECT 811S 50MM HOOKBOLT SET
35770172757	CONNECT 811S 70MM HOOKBOLT SET
35769972757	CONNECT 811S 35MM NARROW PROFILE SET

Connect serial motor hook bolt locks **ASSA ABLOY**

811S/35mm

811S/35mm narrow profile hookbolt lock

Application:

For use on premises where a high level of physical security is required, operated from a remote location. Connect is particularly suitable for automatic night-time locking and unattended entrance doors.

Supplied with DAC430 control unit, 6m connecting cable, and high security striking plates with built-in magnet. Recommended specification includes manual override using cylinders, or emergency accessories.

For finishes, electrical details, compatibility and accessories see Electric Locking Information appendix.

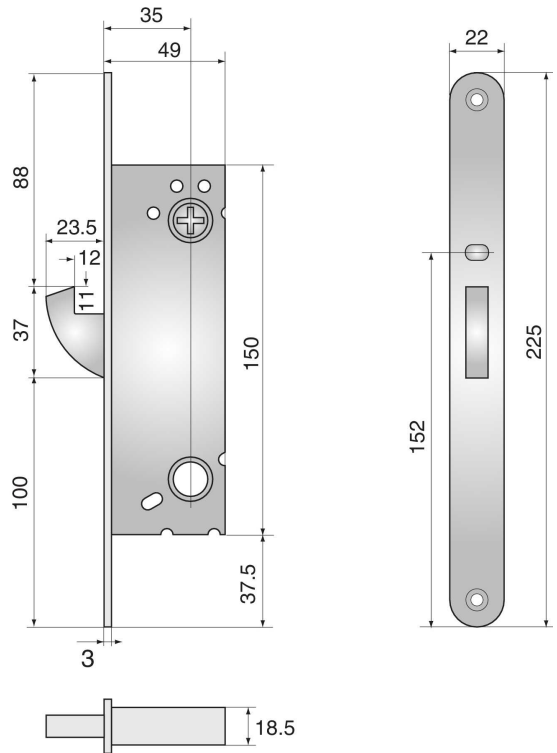
Specification:

Hardened steel swing-type hookbolt thrown 23.5mm by motor or by 90° turn of key or thumbturn.

Available with 35mm backset only.

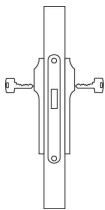
Secure serial encrypted communication between the control unit and the lock.

Incorporates a built-in magnetic door contact which corresponds to a magnet in the high security striking plate.



Exterior

Motor operated deadbolt. Deadbolt may also be operated by key.



Interior

Motor operated deadbolt. Deadbolt may also be operated by key, or emergency accessories.

Standards:

[PROD4]	<p>1487-8 striking plate High security monitored striking plate supplied as standard. Dimensions 245 x 25 mm.</p>
---------	--

Control unit for Connect locks

DAC-430

DAC-430

Application:

The DAC-430 Control Unit provides the intelligence of the Connect motor lock system, and allows it to be integrated with a wide variety of other equipment. It may be used with a simple switch, or linked to sophisticated access control, building management, and alarm systems.

For electrical details see Electric Locking Information appendix.

For use with any Connect serial motor lock. One control unit is required per lock. It accepts inputs from any suitable switch, timer or host control system. A full range of status indicators and alarm outputs is incorporated.

Four wiring system - 2 wires for power supply, 2 wires for communication. Provides secure encrypted communication. Should be mounted in a secure area. Not for external use.

Specification:

Suitable for connection to voltage free contacts from a switch or control system. These can provide either simple unlocking, or an override function where the lock remains unlocked after the first authorised opening signal until the function is turned off again.

The position of the bolt and door is monitored, and alarms will activate if the motor lock is prevented from opening properly.

The bolt will automatically re-lock if the door is not opened within a specified time.

If the bolt is blocked for any reason, the system will repeatedly attempt to throw it again. This is done at 5-second intervals to prevent the motor burning out.

Finish:

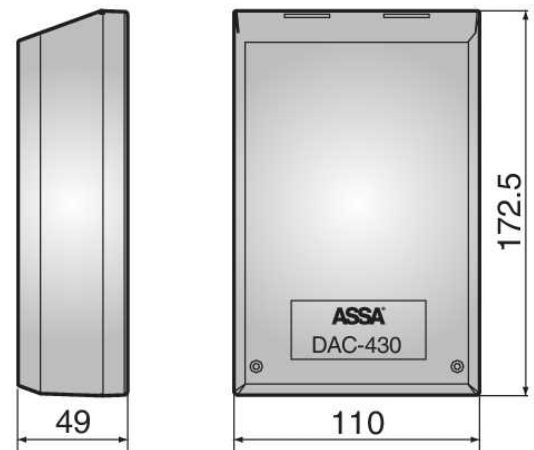
EN 50081-1

EN 50082-2

Residential, Commercial,
Light & Heavy Industry

Variants:

Code	Description
55665116000	DAC RELAY CARD - FOR USE WITH DAC 430



Standards:

Inputs

Opening
Blocking
External door monitoring switch

Relay Outputs

Locked
Unlocked

Alarm Output

12V

Control unit for Connect locks

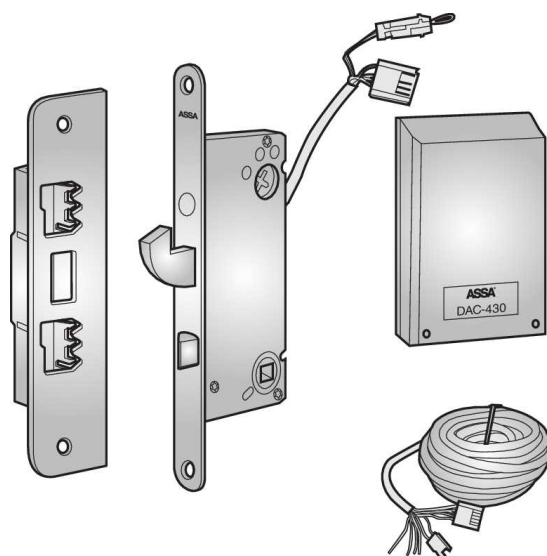
Connect motor lock package

Connect motor lock package

ASSA ABLOY

Application:

Each Connect lock is supplied complete with a motor lock, security striking plate with built-in magnet, DAC-430 control unit and 6m connecting cable. Alternatively available in component form for existing Connect installations.



Electric cabinet locks

1048

1048 cabinet lock

ASSA ABLOY

Application:

For use on security cabinets, drawers, cupboards and lockers. May be fitted as a stand-alone lock controlled by a keyswitch or control device remotely operated by a receptionist or guard or linked so that all cabinets may be locked and unlocked simultaneously.

For electrical details see Electric Locking Information appendix.

Supplied with locking element (fitted to frame) and rosette (fitted to door), plus screws, washers and fitting instructions. Designed to standard 32mm grid size for ease of fitting.

PVC body.

Suitable for both sliding drawers and hinged doors (with minimum 250mm distance from hinges to position of lock rosette). Not handed.



Specification:

Snap-open Cabinet Lock

Fail Locked

The lock opens when the current is on and locks automatically when the current is switched off.

The door is pushed open slightly when the door is unlocked, making this ideal for applications where no external handle is fitted.

Dual voltage 12V/24V AC and DC.

1048BS

Option with microswitch to monitor bolt status.

Variants:

Code	Description
50902000000	1048 ELECTRIC CABINET LOCK,IMPULSE
50902100000	1048BS ELEC.CABINET LOCK,MONITORED

Electric cabinet locks

1049

1049 cabinet lock

ASSA ABLOY

Application:

For use on security cabinets, drawers, cupboards and lockers. May be fitted as a stand-alone lock controlled by a keyswitch or control device remotely operated by a receptionist or guard or linked so that all cabinets may be locked and unlocked simultaneously.

For electrical details see Electric Locking Information appendix.

Supplied with locking element (fitted to frame) and rosette (fitted to door), plus screws, washers and fitting instructions. Designed to standard 32mm grid size for ease of fitting.

PVC body.

Suitable for both sliding drawers and hinged doors (with minimum 250mm distance from hinges to position of lock rosette). Not handed.



Specification:

Switchable Cabinet Lock Fail Locked/Fail Unlocked

The lock may be set to open when the current is on and lock automatically when the current is switched off (fail locked).

Alternatively, it may be set to be closed as long as the current is on and open automatically when the current is switched off (fail unlocked).

Dual voltage 12V/24V AC and DC.

1049BS

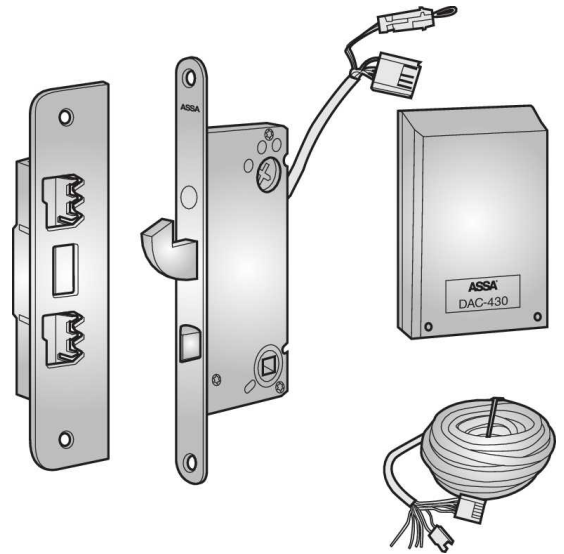
Option with microswitch to monitor bolt status.

Variants:

Code	Description
50901600000	1049BS ELECTRIC CABINET LOCK,MONITORED

Application:

Here are various electromechanical lockcase accessories.



Variants:

Code	Description
10280100000	EA280 CONCEALED CHROME LOOP (NEW 8810)*
10281100000	EA281 CONCEALED CHROME LOOP (LONG)
41798410000	8060,8061 & 8065 DOME *SEE TECH PAGE*
51010010011	83/400 DOOR LOOP 400MM SURFACE FIXED
82018110011	716 OVAL EMERGENCY THUMBTURN *TEXT PAGES*
82018210013	716 ROUND EMERGENCY THUMBTURN *SEE TXT PGS*
35791610757	1487-8 STRIKE CNCT BUILT-IN MAGNET
81712110000	CABLE FOR USE WITH SOLENOID LOCKS 88X - 6M

ASSA Digital Door Lock

ASSA ABLOY



ASSA ABLOY Shine

ASSA ABLOY

Application:

Polished performance in digital locking for glass doors

A digital door lock for glass doors without having to drill the door thus enabling easy retrofit able! A stylish design with battery power, ideal use for small to medium business and offices – managing access to management suites and meeting rooms.

Packed with features which will meet most requirements to control access with convenient installation and programming. Suitable for single and double doors (optional strike available), suitable for use on 10-12mm door thickness.



Specification:

Advance mode

Advance mode can be used for professional and high security management.

Choice of access

shine™ has two access solutions, PIN code or RF Card key for your convenience.

Magic mirror

With the magic mirror feature, the numbers appear on the mirror finish keypad only when it is touched. As an additional security feature, the user is able to check behind them using the mirror, before keying in the code.

Anti-tamper thumbturn

Opposing buttons on grip of thumbturn require depressing to allow user to operate. This security feature prevents 'fishing' through the gap to gain unauthorised entry.

Clip type bracket (no drilling required)

Quick and easy installation with the clip bracket. No drilling required and the bracket is secured with strong double sided tape.

Modern slim design

Robust, low profile contemporary digital keypad design

High temperature alarm

In the case of fire, it will detect the increase in temperature on the inside. The in-built alarm will then be activated and the lock status released automatically.

Fake PIN code

To prevent the PIN code from being exposed, it allows you to enter fake numbers before or after entering your PIN Code.



Standards:

- EMC – RoHS – WEEE- R&TTE – IP55

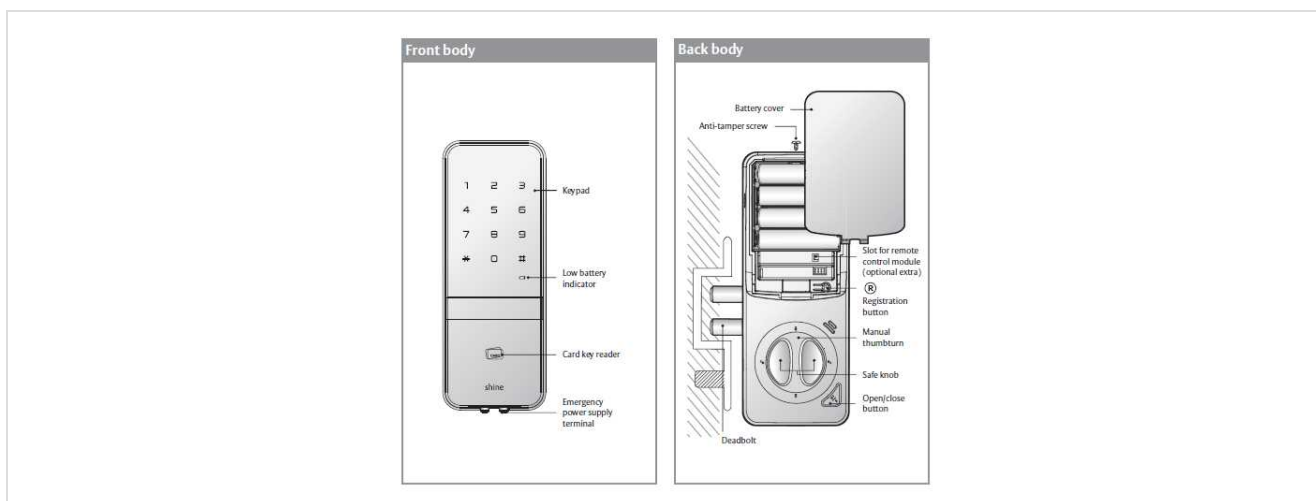


Remote control (optional)

A remote control option is also available. Using Wireless Floating ID technology, it will work up to 50 metres.

Parts	Specifications	Remarks
Front body	14(D) x 72.8(W) x 186(H)	Operating temperature: -15 ~ 55°C
Back body	48.8(D) x 77.5(W) x 190.5(H)	Operating temperature: -15 ~ 55°C
Battery	4EA 1.5 AA alkaline batteries	Last up to 1 year (10 times used a day)

Technical Design:



ASSA Codor

ASSA ABLOY

Application:

Codelocks for use where access to particular areas must be restricted. For example, doors between public and private areas in banks and shops plant rooms and laboratories. When used with a mechanical deadlock provides out-of-hours physical security.

Codoor is supplied with full programming and installation instructions. It may be used with any ASSA Modular or Connect Lock which operates via lever handles, and is simple to retro-fit to an existing lock. No cabling is required. Handing reversible.

The case is stainless steel.

Note: Codoor is not suitable for external use.

For finishes and electrical details see Electric Locking Information appendix.



Specification:

Digital Codelock

Requires entry of a 4-digit passcode in the correct sequence. 10,000 codes available. Programmed to resist attempts to gain access by random trial of codes.

Up to 9 codes may be stored at one time. The unit offers an always-open function to permit free access via the lever handle when required.

The unit is programmed from the keypad, without removing the unit from the door.

Features low-power warning and diagnostic mode.

Cylinder, handle and lockcase supplied separately.

Standards:

Note that 70mm backset lockcases should normally be used. Also, we always recommend that a key override is fitted onto the lockcase. This cylinder may form part of a master key system.

We only recommend the use of ASSA Classic sprung lever handles with bolt-through fixing. Service accessories are available: see appendix.

Finish:

EN 50081-1

Variants:

Code	Description
10038510019	CODOOR CD3500 C/W BATTERIES **GBI:25-350

Application:

Codelocks for use where access to particular areas must be restricted. For example, doors between public and private areas in banks and shops plant rooms and laboratories. When used with a mechanical deadlock provides out-of-hours physical security.

Codoor is supplied with full programming and installation instructions. It may be used with any ASSA Modular or Connect Lock which operates via lever handles, and is simple to retro-fit to an existing lock. No cabling is required. Handing reversible.

The case is stainless steel.

Note: Codoor is not suitable for external use.

For finishes and electrical details see Electric Locking Information appendix.

Variants:

Code	Description
10015000000	BATTERY 9V LITHIUM (CODOOR)
10142800000	CODOOR H/SPG HUB ASSEMBLY GBI:95-164
10168600000	CODOOR HORSESHOE SPRING 309 GBI:95-162

ASSA Codelock

ASSA ABLOY

Application:

For use where access to particular areas is restricted to persons knowing the digital passcode - for example doors between public and private areas in banks and shops plant rooms, laboratories or other specially designated areas of restricted access. Compatible with electric strikes, motor locks, and other locking devices.

For finishes, electrical details and accessories see Electric Locking Information appendix.

ASSA 22CL is supplied with full programming and installation instructions. It may be used with any ASSA electric strike, ASSA Connect motor lock, or other electric locking devices. (Note that magnets must be connected as fail safe electric strikes). See Electric Locking Information appendix for details of exit switches and power supplies.

Suitable for internal and external use.

IP-54 rated housing.



Standards:

[PROD6]

Example of a complete system:

- 22CL unit
- Electric Strike
- Exit Switch
- Power Supply
- Optional Time Switch

Specification:

Digital Codelock

Compact and easy to install. The unit is programmed from the keypad. The system memory is non-volatile to prevent data loss.

Requires entry of a 4-digit or 6-digit passcode in the correct sequence. Up to 1,000,000 codes available when using 6 digits. Up to 7 codes may be stored at one time.

Automatic anti-manipulation function. Anti-tailgating when used with a monitored electric strike.

May be connected to a remote switch or timer, making certain codes valid at particular times of the day only. An auto-expiry code function is available. Backlit keypad backlighting can be turned off.

Finish:

EN 50081-1

EN 50082-2

Residential, Commercial,
Light & Heavy Industry

Variants:

Code	Description
53222200084	ASSA 22CL CODELOCK -BLACK
53222200086	ASSA 22CL CODELOCKS SILVER GREY

Application:

For use where access to particular areas is restricted to persons knowing the digital passcode - for example doors between public and private areas in banks and shops plant rooms, laboratories or other specially designated areas of restricted access. Compatible with electric strikes, motor locks, and other locking devices.

For finishes, electrical details and accessories see Electric Locking Information appendix.

ASSA 22CL is supplied with full programming and installation instructions. It may be used with any ASSA electric strike, ASSA Connect motor lock, or other electric locking devices. (Note that magnets must be connected as fail safe electric strikes). See Electric Locking Information appendix for details of exit switches and power supplies.

Suitable for internal and external use.

IP-54 rated housing.

Prox reader

ASSA ABLOY

Prox reader

HID Entryprox Reader

HID Entryprox Reader

ASSA ABLOY

Variants:

Code	Description
10210500064	HID ENTRYPROX READER PART:4045CGNU0



Magnetic hold-opens with override ASSA ABLOY

Magnetic hold-opens with override **ASSA ABLOY**

M838-BW2U

M838-BW2U hold-open with override

Application:

While power is applied, these devices hold the door open to permit free passage. When triggered, they release, allowing the door to shut. The hold-opens may be linked to a fire alarm system to close automatically in case of emergency, preventing the spread of smoke through the building.



Supplied with 838-3 armature plate.

Specification:

Surface mounted hold-opens with spacer. May be converted to floor or wall mounting. Activated by alarm system, remote switch or manual override button (included). DC only.

Distance from wall: 155mm

Distance from floor: 110mm

Holding force: 800N (80kg)

Replaces M1370/15 and M1380/15.

Finish:

EN 50081-1

EN 50081-2

EN 60529

EMC 89/336/EEC

Variants:

Code	Description
10447700000	M838-BW2U HOLD OPEN 24V PN:M838/839BW2U
1044770000A	M838-BW2U & ARMATURE PLATE, 24VDC

Magnetic hold-opens with override **ASSA ABLOY**

M838-BW4U

M838-BW4U hold-open with override

Application:

While power is applied, these devices hold the door open to permit free passage. When triggered, they release, allowing the door to shut. The hold-opens may be linked to a fire alarm system to close automatically in case of emergency, preventing the spread of smoke through the building.

Supplied with 838-3 armature plate.

Specification:

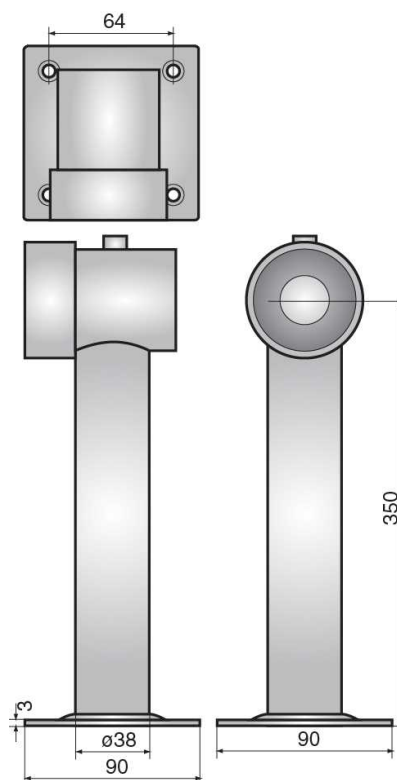
Surface mounted hold-opens with adjustable height. May be converted to floor or wall mounting. Activated by alarm system, remote switch or manual override button (included). DC only.

Distance from wall: 395mm

Distance from floor: 350mm

Holding force: 800N (80kg)

Replaces M1370/30 and M1380/30.



Finish:

EN 50081-1

EN 50081-2

EN 60529

EMC 89/336/EEC

Variants:

Code	Description
10447600000	M838-BW4U HOLD OPEN 24V PN:M838/839BW4U
1044760000A	M838-BW4U & AMARTURE PLATE, 24VDC

Medium security

ASSA ABLOY

Medium security

M8000

M8000 magnet

Application:

For use where security for people is paramount. For example public areas such as libraries, shops, etc. Will accept a range of power inputs.

All magnets are supplied with armature plate, screw fittings and manual. Optional mounting brackets and armature housings are available as shown. Anodised aluminium casing.

Medium Security - 300kg holding force.

Dual voltage 12/24 V DC.

Not handed.



Specification:

Medium Security

Mortice fixing. True fail-safe operation. Suitable for light internal doors and sliding doors.

Available with Hall Effect microswitch to monitor that the magnet is active use ref. **M8000X002**.

Variants:

Code	Description
10242900000	M8000 MAGNET 12/24V (MAG-03000ALM--D)

Medium security

M8005

M8005 magnet

ASSA ABLOY

Application:

For use where security for people is paramount. For example public areas such as libraries, shops, etc. Will accept a range of power inputs.

All magnets are supplied with armature plate, screw fittings and manual. Optional mounting brackets and armature housings are available as shown. Anodised aluminium casing.

Medium Security - 300kg holding force.

Dual voltage 12/24 V DC.

Not handed.



Standards:

Mounting brackets

M8005.103 L-bracket to suit M8005 magnet, for outward opening doors.

M8005.100 L&Z-bracket set to suit M8005 magnet, for inward opening doors.

M8005.104 Armature housing for surface fixing armature to door.

Specification:

Medium Security

Surface fixing. True fail-safe operation. Suitable for light internal doors.

Available with Hall Effect microswitch to monitor that the magnet is active use ref. M8005X002.

Fixings supplied to suite 45mm door thickness.

Variants:

Code	Description
10243300017	M8005 MAGNET 12/24V (MAG-03000ALS--D)
10243400017	M8005X002 MONITORED (MAG-03000ALS-HD)
10244700000	M8005.103 L FOR M8005 (MAGAC-L300)
10244800000	M8005.100 L+Z FOR M8005 (MAGAC-Z300)
10245300000	M8005.104 ARMATURE HOUSING (MAGAC-M300)

High security

ASSA ABLOY

High security

M8011

M8011 magnet

ASSA ABLOY

Application:

For use where security for people is paramount. For example public areas such as libraries, shops, etc. Will accept a range of power inputs.

All magnets are supplied with armature plate, screw fittings and manual. Optional mounting brackets and armature housings are available as shown.

Anodised aluminium casing.

High Security - 600kg holding force.

Dual voltage 12/24 V DC.

Not handed.

Fixing for 45mm door thickness.



Standards:

Mounting brackets

M8011.103 L-bracket to suit M8011 and M8022 magnets, for outward opening doors.

M8011.100 L&Z-bracket set to suit M8011 and M8022 magnets, for inward opening doors.

M8011.104 Armature housing for surface fixing armature to door.

Note: two sets of brackets are required for M8022 double magnet.

Specification:

High Security

Surface fixing. True fail-safe operation. Suitable for heavy external and internal single doors.

Available with Hall Effect microswitch to monitor that the magnet is active use ref. **M8011X002**.

Variants:

Code	Description
10243700017	M8011 MAGNET 12/24V (MAG-05000ALS--D)
10243800017	M8011X002 MONITORED (MAG-05000ALS-HD)
10244900000	M8011.103 L FOR M8011 (MAGAC-L500)
10245000000	M8011.100 L+Z FOR M8011 (MAGAC-Z500)
10245400000	M8011.104 ARMATURE (MAGAC-500)

High security

M8022

M8022 double magnet

Application:

For use where security for people is paramount. For example public areas such as libraries, shops, etc. Will accept a range of power inputs.

All magnets are supplied with armature plate, screw fittings and manual. Optional mounting brackets and armature housings are available as shown.

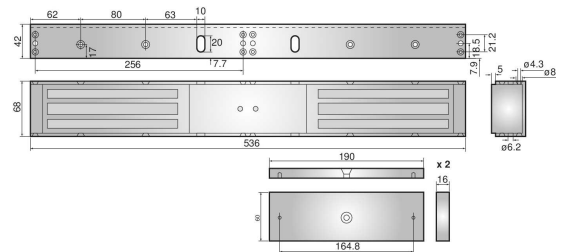
Anodised aluminium casing.

High Security - 600kg holding force.

Dual voltage 12/24 V DC.

Not handed.

Fixing for 45mm door thickness.



Standards:

[PROD4]

Specification:

High Security

Surface fixing. True fail-safe operation. Suitable for heavy external and internal double doors.

Available with Hall Effect microswitch to monitor that the magnet is active use ref. **M8022X002**. Time delay 1 - 15 seconds.

Variants:

Code	Description
10244100017	M8022 MAGNET 12/24V (MAGDN5000ALS--D)
10244200017	M8022X002 MONITORED (MAGDN5000ALS-HD)
10245100000	M8022.103 L- BRACKET (MAGAC-L500)
10245200000	M8022.100 L+Z FOR M8022 (MAGAC-Z500)

Weatherproof high security

ASSA ABLOY

Weatherproof high security

M8065

M8065 weatherproof magnet

ASSA ABLOY

Application:

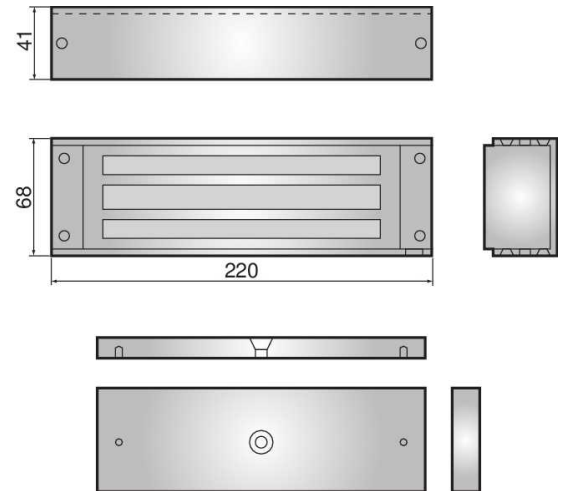
For use in exposed areas where security for people is paramount. For example external doors and gates in public areas. Will accept a range of power inputs.

All magnets are supplied with armature plate, screw fittings and manual. Optional mounting brackets and armature housings are available as shown. Anodised aluminium casing.

High Security - 650kg holding force.

Dual voltage 12/24 V DC.

Not handed.



Specification:

High Security

Surface fixing. True fail-safe operation. IP65 rated. Suitable for heavy external and internal single doors and gates, including those exposed to extreme weather conditions.

Available with Hall Effect microswitch to monitor that the magnet is active: use ref. **M8065X002**.

Standards:

Mounting brackets

M8065.103 L-bracket to suit M8065 magnet, for outward opening doors.

Variants:

Code	Description
10412200031	WEATHERPROOF MAG 12/24V (MAGG6500STS--D)
10412400031	WEATHERPROOF MONITORED 24VDC (MAGG6500STS-HB)

Very high security shear magnets ASSA ABLOY

Very high security shear magnets

ASSA ABLOY

M8031X002

M8031X002 Shearmagnet

Application:

For use where the highest level of security for people is paramount. For example perimeter doors, security doors and gates.

Supplied with armature plate, screw fittings and manual.
Nickel plated casing with black powder coated housing.
Very High Security - 1,500kg holding force.
Dual voltage 12/24 V DC.
Not handed.

Specification:

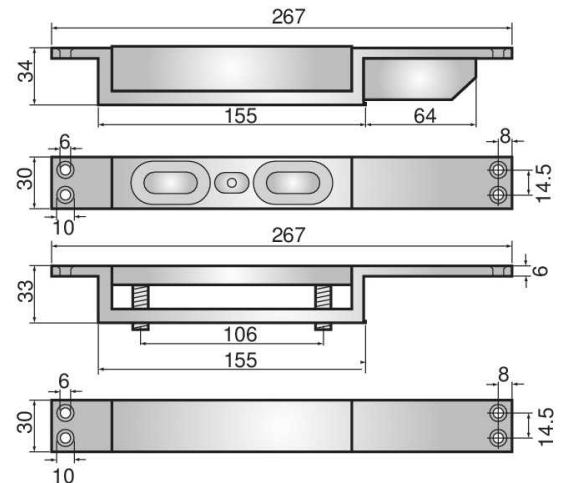
Very High Security

Mortice fixing. True fail-safe operation. Suitable for external and internal doors.

Supplied as standard with Hall Effect microswitch to monitor that the shearmagnet is active. Time delay 2 - 6 seconds.

Variants:

Code	Description
10244500000	M8031X002 SHEARMAG 12/24 MAGS15000ALM1TD



Standards:

[PROD4]

Magnetic hold-opens

ASSA ABLOY

Magnetic hold-opens

M838-A

M838-A mortice hold-open

Application:

While power is applied, these devices hold the door open to permit free passage. When triggered, they release, allowing the door to shut. The hold-opens may be linked to a fire alarm system to close automatically in case of emergency, preventing the spread of smoke through the building.

Hold opens are supplied with the 838-3 armature plate. The armature plate is morticed into the door and engages with the magnetic hold-open.

Specification:

Hold-opens suitable for mortice fixing. Activated by alarm system or remote switch. DC only.

Holding force: 800 N (80 kg)

Replaces M1330 and M1340.

Finish:

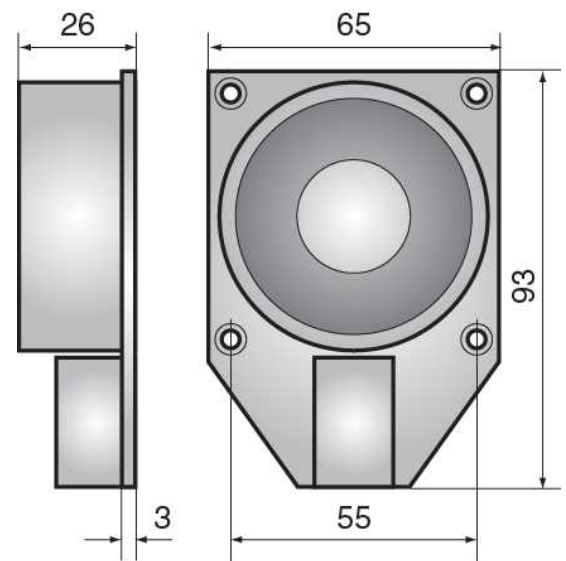
EN 50081-1

EN 50081-2

EMC 89/336/EEC

Variants:

Code	Description
10448000000	M838-A MORTICE HOLD OPEN 24V
1044800000A	M838-A MORTICE HO & ARMATURE PLATE



Magnetic hold-opens

838-3

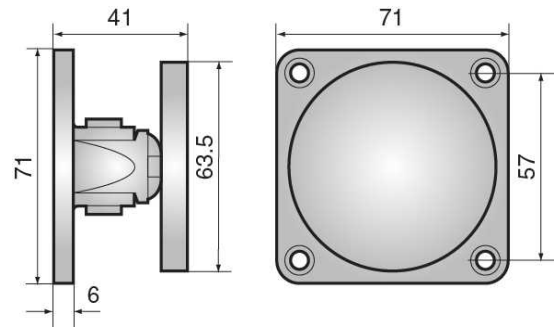
838-3 armature plate

ASSA ABLOY

Application:

While power is applied, these devices hold the door open to permit free passage. When triggered, they release, allowing the door to shut. The hold-opens may be linked to a fire alarm system to close automatically in case of emergency, preventing the spread of smoke through the building.

Hold opens are supplied with the 838-3 armature plate. The armature plate is morticed into the door and engages with the magnetic hold-open.



Specification:

Armature plate for use with all M838 series hold opens. Surface mounted. Fully adjustable for extreme angles between door and magnet.

Variants:

Code	Description
10447800000	M838-3 ARMATURE PLATE P/N:838-3..00

Magnetic hold-opens - Mounted

ASSA ABLOY

M838-ISU

M838-ISU wall mounted hold-open with override

Application:

While power is applied, these devices hold the door open to permit free passage. When triggered, they release, allowing the door to shut. The hold-opens may be linked to a fire alarm system to close automatically in case of emergency, preventing the spread of smoke through the building.

Supplied with 838-3 armature plate.



Specification:

Surface mounted hold-open.

Activated by alarm system, remote switch or manual override button (included). DC only.

Holding force: 800N (80kg)

Finish:

EN 50081-1

EN 50081-2

EN 60529

EMC 89/336/EEC

Variants:

Code	Description
10447500000	M838-ISU WALL 24V / HOLDING FORCE:80KG
1044750000A	M838-ISU HOLD OPEN 24V & PLATE

M838-IGBU

M838-IGBU floor mounted hold-open with override

Application:

While power is applied, these devices hold the door open to permit free passage. When triggered, they release, allowing the door to shut. The hold-opens may be linked to a fire alarm system to close automatically in case of emergency, preventing the spread of smoke through the building.

Supplied with 838-3 armature plate.

Specification:

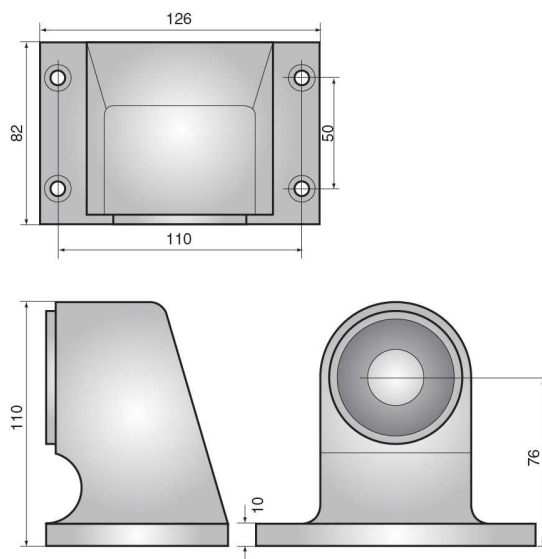
Surface mounted hold-open.
Activated by alarm system, remote switch or manual override button (included). DC only.
Holding force: 800N (80kg)

Finish:

EN 50081-1
EN 50081-2
EN 60529
EMC 89/336/EEC

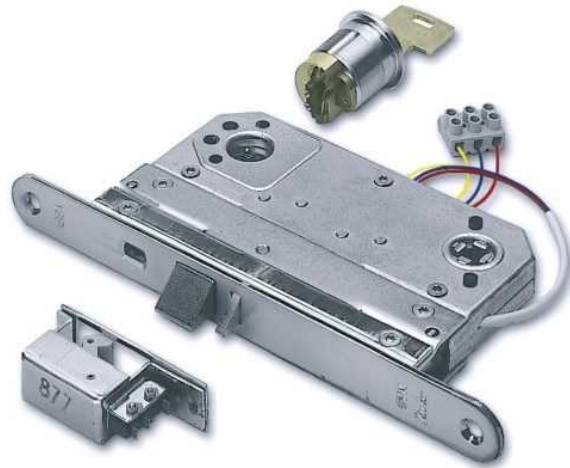
Variants:

Code	Description
10447900000	M838-IGBU FLOOR HOLD OPEN 24V
1044790000A	M838-IGBU FLOOR HO & ARMATURE PLATE



Variants:

Code	Description
10412900000	L BRACKET FOR W/PROOF MAG (MAGAC-L1200)



Power supply units

PS-SS

Standard series

ASSA ABLOY

Application:

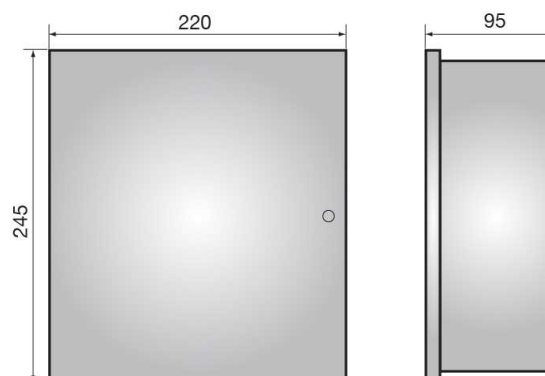
Stabilised power supply units. Four types are available:

10 18 99 12V 1A DC power supply unit

10 19 00 12V 2A DC power supply unit

10 19 01 24V 1A DC power supply unit

10 40 84 24V 2A DC power supply unit



Power supply units

PS-PS

Professional series

ASSA ABLOY

Application:

Stabilised power supply units for use in more demanding applications. Includes monitoring as standard. Certain models are also available in larger case sizes with 5 fused outputs.

Six types are available:

10 11 97 12V 3A DC power supply unit

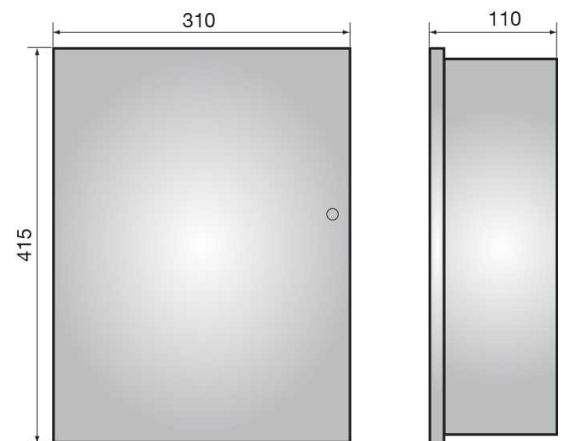
10 11 98 12V 3A DC power supply unit, large case with 5 outputs

10 11 99 12V 5A DC power supply unit, large case with 5 outputs

10 03 70 24V 1.25A DC power supply unit, PVL30

10 12 00 24V 3A DC power supply unit

10 12 01 24V 3A DC power supply unit, large case with 5 outputs



Variants:

Code	Description
10246700000	BATTERY 12V 7AH SEALED LEAD AHARGEABLECID REC
10442200000	PSU RY2 BOARD RETROFIT FOR FIRE ALARM

Microswitches

Bolt position monitors

Bolt position monitors

Application:

Microswitches enable the mechanical action of a lock to be used to open or close an electric circuit. Typical uses for this would be to monitor the status of the door or activate an alarm when it is opened. With appropriate cabling the microswitch may also be used to activate other electronic or electromechanical equipment.

All microswitches are of the single-pole double throw type, and so may be connected in either the normally-open or normally-closed position.

For environmental considerations, wiring and power details see Electric Locking Information appendix.

Specification:

Bolt Position Monitors

The microswitch is activated when the bolt of the lock is thrown and engaged in the striking plate.

81/15 Latchbolt Switch

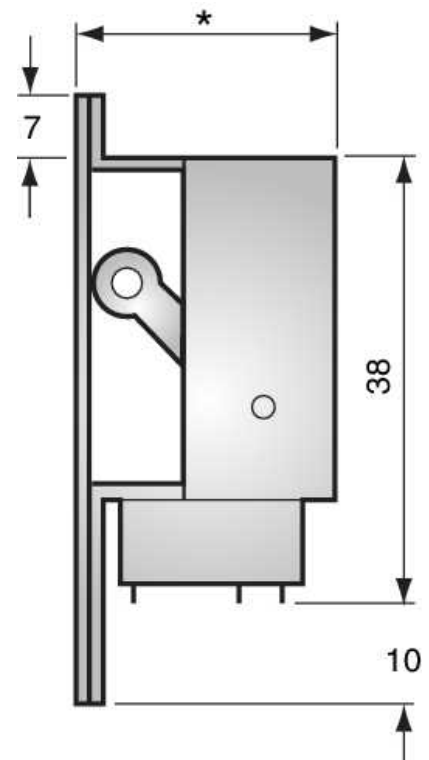
Welded or glued to a conventional striking plate in place of the box. Will suit any bolt up to 15mm throw, including all ASSA Modular and Compact latchbolts.

81/20 Deadbolt Switch

Welded or glued to a conventional striking plate in place of the box. Will suit any bolt up to 21mm throw, including all ASSA Modular and Compact deadbolts (except 1520).

82 Microswitch attachment

Fitted to 2301 or 2401 striking plate. Will suit any ASSA Modular deadbolt, or Connect or Modular single nightlatch or latchbolt.



Standards:

[PROD4]

Striking plates for use with 82 microswitch attachment

2301

2401

Variants:

Code	Description
23010010761	STRIKE FOR 82 SOLID SWITCH - 2301
24010010761	STRIKE FOR 82 SOLID SWITCH - 2401
10517900000	878 BOLT MICROSWITCH WITH 4M CABLE

Application:

Smart Cards of various memory size.

Specification:

Here are the Smart CRD accessories.

Variants:

Code	Description
10430500200	SA MIFARE 4K CARD 13.56MHZ
10430500400	SMARTAIR MIFARE 1K TAG PN:1434NSSNN
10430500700	SMART MIFARE ADHESIVE 4K 1445NSSNN *TXT*
10430600000	SA MIFARE 1K CARD 13.56MHZ
10432300200	SA TS10 S/ALONE PROG CARD LIC :SNALICSTA
10432300300	SA TS10 WITH SHADOW CARD LIC :SNALICSTASDWD

Exit buttons

ASSA ABLOY

Exit buttons

EMEREB

Emergency Exit Button

ASSA ABLOY

Exit buttons

Egress Switch

Egress Switch

ASSA ABLOY

Variants:

Code	Description
10046100000	EXIT SWITCH COMPLETE P:1950-01-SSS