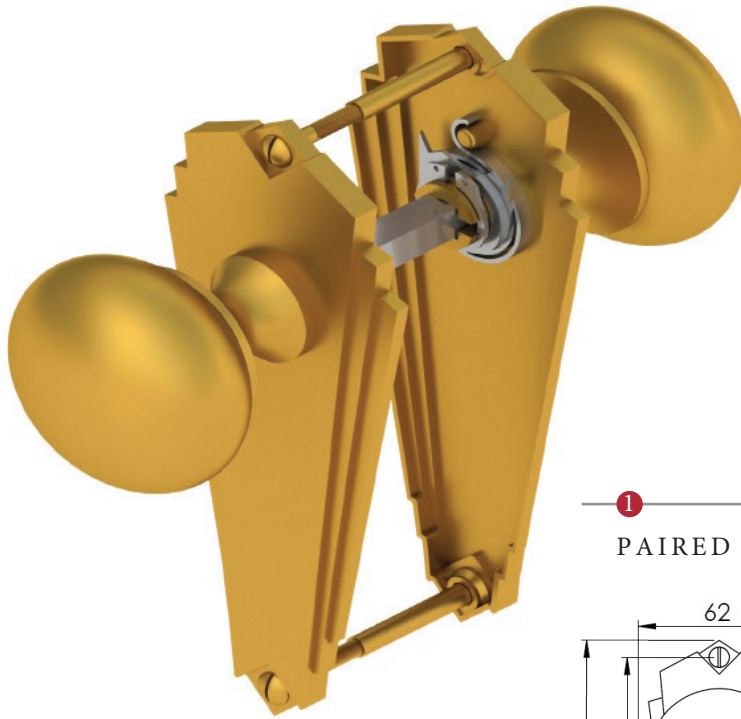
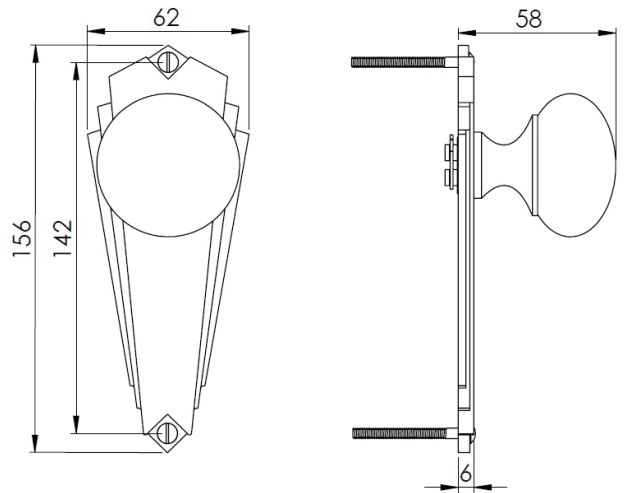


BROADWAY MORTICE KNOB ON LATCH PLATE SPRUNG ON ONE SIDE



1
PAIRED VIEW

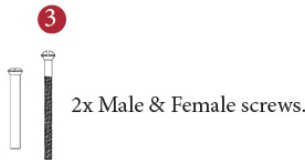
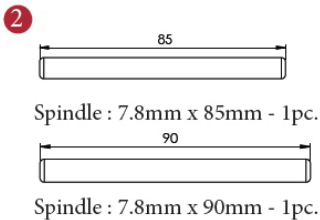


This mortice knob is suitable for use with most U.K. tubular latches.
For a new interior door installation we would recommend using our York standard tubular latch from the list below.

TUBULAR LATCH

(not Included, must be ordered separately)

- YKTL3-AT 3" Antique Finish
- YKTL3-BLK 3" Black Finish
- YKTL3-MB 3" Matt Bronze Finish
- YKTL3-PB 3" Brass Finish
- YKTL3-PC&PN 3" Polished Chrome & Nickel Finish
- YKTL3-SB 3" Satin Brass Finish
- YKTL3-SN&SC 3" Satin Nickel & Chrome Finish



Box
Contains

1
Pair of
mortice knobs

2
2x spindle suitable for
35mm & 44mm thick door

3
2x male & female
screw sets


M Marcus Ltd., Dudley

Product Code

BR1810

Material

Solid Brass

Available in all Heritage Brass finishes.

Sizes shown are in mm and approximate.
We reserve the right to amend where
necessary and without any prior notice.