

NORSOUND

NOR810 Automatic Drop Seal



The next generation of acoustic drop seal.

Specifically designed and manufactured by Norsound in Germany, quality and attention to detail have been at the forefront of every design decision.

Some clever design changes make this drop seal our most advanced to date.

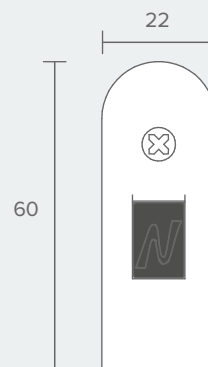
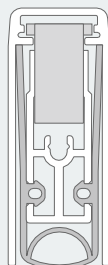
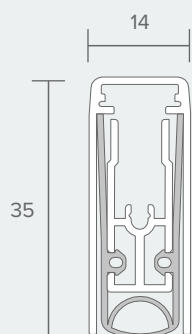
The robust internal mechanism allows for parallel actuation, whilst a complete overhaul to the seal profile provides for the most durable seal yet.

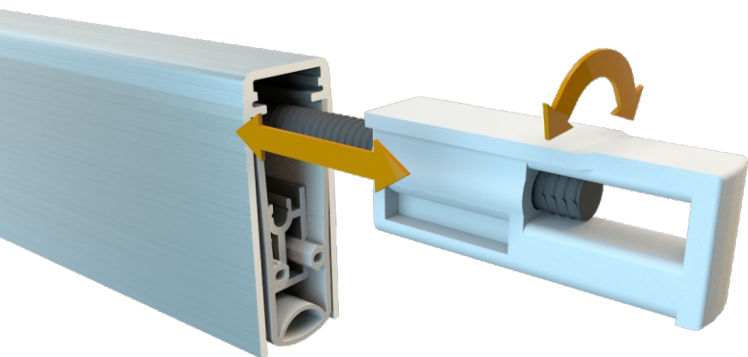
The actuator has been manufactured with Teflon, giving it a smooth surface that eradicates damage to door frames. Added to this, it can now be completely removed from the product when necessary.

The option to adjust the actuator by hand means that no tools are required for adjustment and seals can be deactivated when on site.

- ⌚ High acoustic performance values up to 51dB in accordance with BS EN ISO 10140-2: 2010
- ⌚ Fire tested for use in doors up to 60 minutes in accordance with BS 476: Part 22: 1987
- ⌚ Covers gaps up to 20mm
- ⌚ Sizes ranging from 320mm-1535mm, each with significant cutback options
- ⌚ Fit with traditional end plates or hanging brackets giving the option for faster installation if required
- ⌚ Made with quality in mind – tested to 1,000,000 cycles by an external test house

Technical (mm)





Adjustment

Adjustment has been made much easier. The actuator can be fully removed using a clip mechanism and adjusted by hand. Simply twist it either clockwise or anti-clockwise.

The option to fully remove the actuator means you can deactivate the drop seal when required, particularly useful if fitting doors to an unfinished site project.

Once deactivated, the silicone seal will be protected during the construction phase by preventing contact with dirt and grit on the floor.

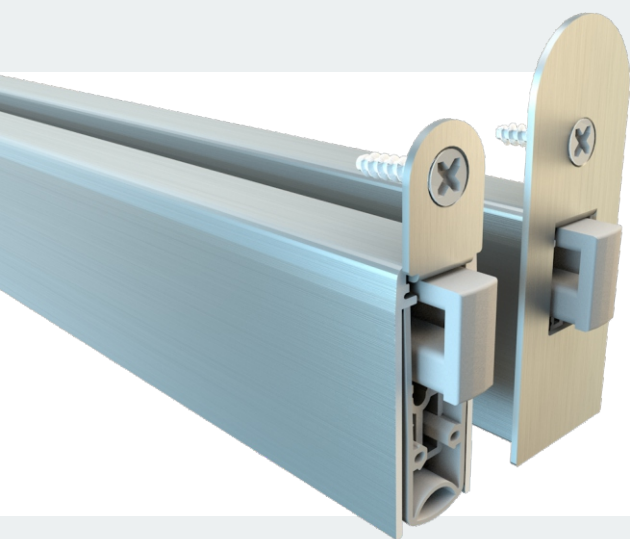
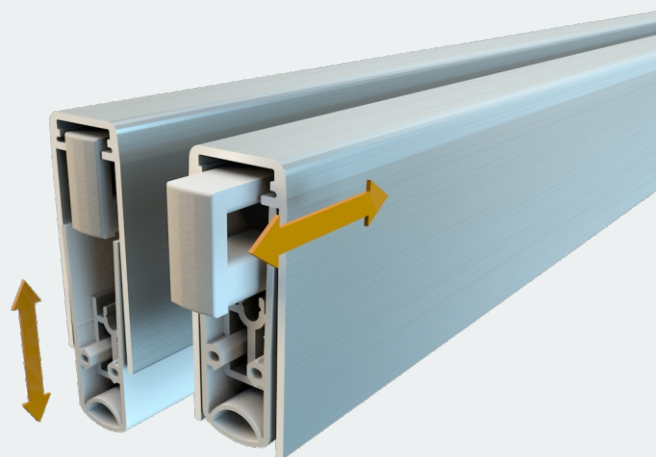
A Teflon-strengthened surface gives the actuator a smooth finish that ensures gentle contact with the frame.

Seal Profile

A redesign of the seal profile has improved the seal's durability and functionality.

Silicone pips on either side of the inner carrier ensure the seal cannot delaminate once fitted.

Changes to the inner mechanism have enhanced the maximum seal travel to 20mm.



Installation

The traditional end caps give a neat finish to the product once in a door. They come supplied with a small PVC spacer, allowing the seal to operate smoothly and efficiently unaffected by lateral movement of the mechanism.

If fast installation is required, the NOR810 can be supplied with hanging brackets, which can be fitted straight onto the finished door without needing to rout out a groove for the end plate, saving manufacturing time.

- ⊗ **Size:** 14mm(w) x 35mm(h)
- ⊗ **Application:** Single and double leaf doors
- ⊗ **Length (mm):** 320, 435, 535, 635, 735, 835, 935, 1035, 1135, 1235, 1335, 1435, 1535 mm
- ⊗ **Maximum drop:** 20mm
- ⊗ **Fixing:** Rebated, held at either side by traditional end plates or hanging brackets (optional)

- ⊗ **Material:** Aluminium (holder), Silicone (gasket)
- ⊗ **Acoustic Certification:** BS EN ISO 10140-2: 2010
- ⊗ **Fire Certification:** BS 476: Part 22: 1987
- ⊗ **Order Code:** NOR810/(length)
- ⊗ **Adjustment:** Click-in sliding actuator