

NORSOUND

NOR820 Automatic Drop Seal



Enhance the acoustic performance of existing doors.

Specifically designed and manufactured by Norsound in Germany, the new NOR820 has seen a raft of improvements that make it the perfect choice for sealing existing doors.

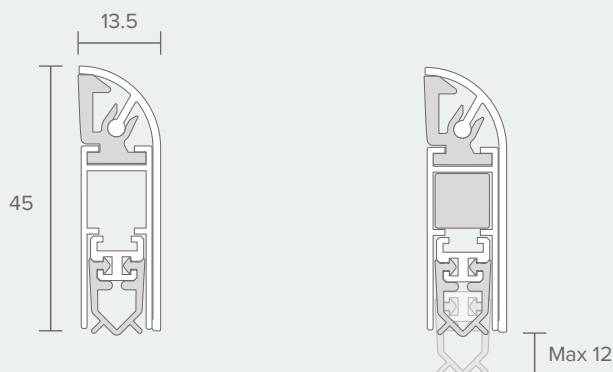
Clever design changes to the fixing method allow for the product to be fitted to either the inward or outward face of a door in minutes, enhancing the comfort of any space whether it be an office, living area, school or hospital.

The NOR820 is a perfect retrofitting system to improve the acoustics of old buildings, as well as helping save energy & money by preventing draughts from entering and heat from escaping.

Use this seal in conjunction with Norsound acoustic perimeter seals to provide the best acoustic performances possible, compliant with both Document 'E' and BB93.

- ⦿ Ideal retrofitting system to improve comfort, with energy saving & acoustic performance.
- ⦿ Prevents transfer of noise, draughts, heat & light on door bottom gaps up to 12mm.
- ⦿ High acoustic performance values with sealing efficiency of up to 92% when used with Norsound perimeter seals.
- ⦿ Can be used on fire rated doors without any detriment to the door's performance.
- ⦿ Sizes ranging from 400mm-1200mm, each with significant cutback options. Minimum possible length 270mm
- ⦿ Designed with quality in mind – Full silicone sealing profile, improved fixing method with concealed screws, a clip-on cover plate & robust end caps.
- ⦿ Can now be fixed to either the inward or outward face of the door.

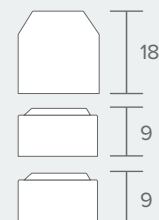
Technical (mm)



Actuator plate



Actuator stick with 2 x distance pieces

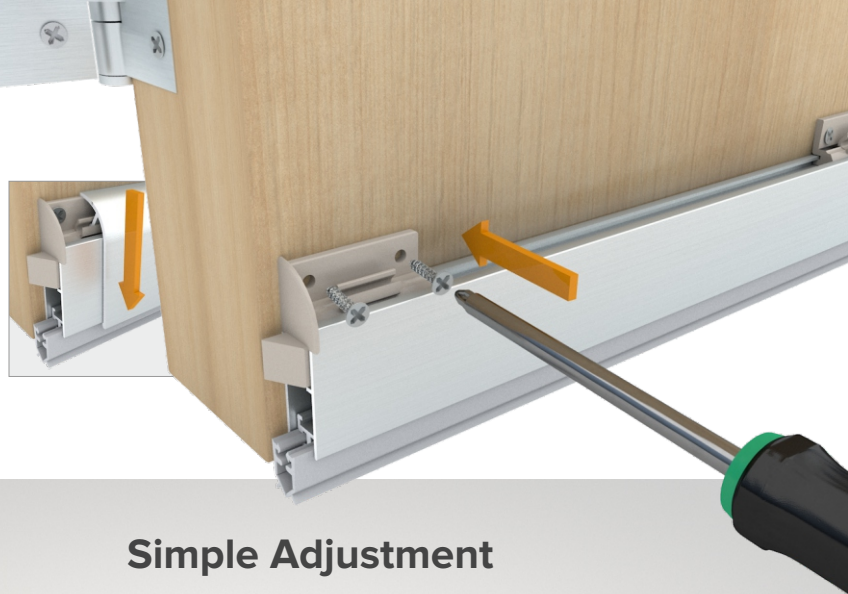


Improved Fixing Method

There has been a complete overhaul concerning the product's fixing method, including a new cover strip that clips into three separate slide-in sections for an improved hold.

As well as this, more fixing points have been added to ensure optimum durability.

Once the product is cut to size, fitting is as simple as sliding the sections into place and screwing the product onto the bottom edge of the door.

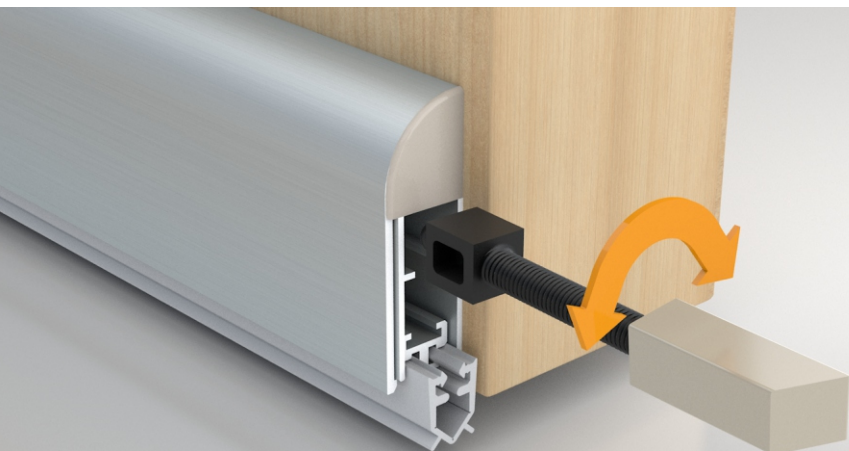


Simple Adjustment

Adjustment has been made much easier - the actuator can be fully removed using a clip mechanism and adjusted by hand. Simply twist it either clockwise to reduce seal travel or anti-clockwise to increase it.

This also gives the opportunity to deactivate the seal's mechanism. Deactivation is a useful feature when fitting to unfinished construction sites, protecting the seal from contact with dirt and grit during the installation phase.

The whole drop seal (without cover plate) can also be flipped depending on the side of the door it is required for.



Fit Either Side

For the first time, fit the product on either side of the door thanks to a pressure block included with every pack.

Although most commonly fitted to the inward face of the door, the new NOR820 can now be fitted to the outward face if required.

With minimal effort required, simply fit the pressure block to the appropriate part of the frame ensuring contact is made with the actuator when the door is closed.



- ⊗ **Application:** Single and double leaf doors
- ⊗ **Size (mm):** 13.5(w) x 45(h)
- ⊗ **Maximum Drop (mm):** 12
- ⊗ **Length (mm):** 400, 500, 600, 700, 800, 900, 1000, 1100, 1200
- ⊗ **Cut Back (mm):** 125 (500-1200), 130 (400)
- ⊗ **Fixing:** Concealed screw fix to face of door
- ⊗ **Adjustment:** Click-in actuator
- ⊗ **Material:** Aluminium (holder), Silicone (gasket)
- ⊗ **Acoustic Certification:** BS EN ISO 10140-2: 2010
- ⊗ **Order Code:** NOR820/(length)
- ⊗ **In The Box:** Single packed with fitting instructions & fixings