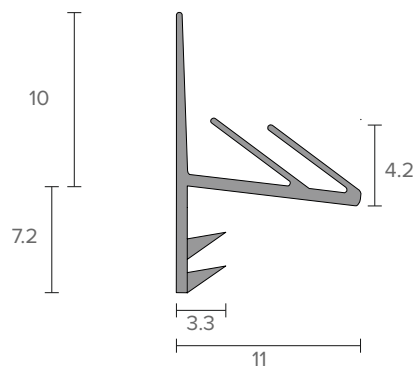


Tools



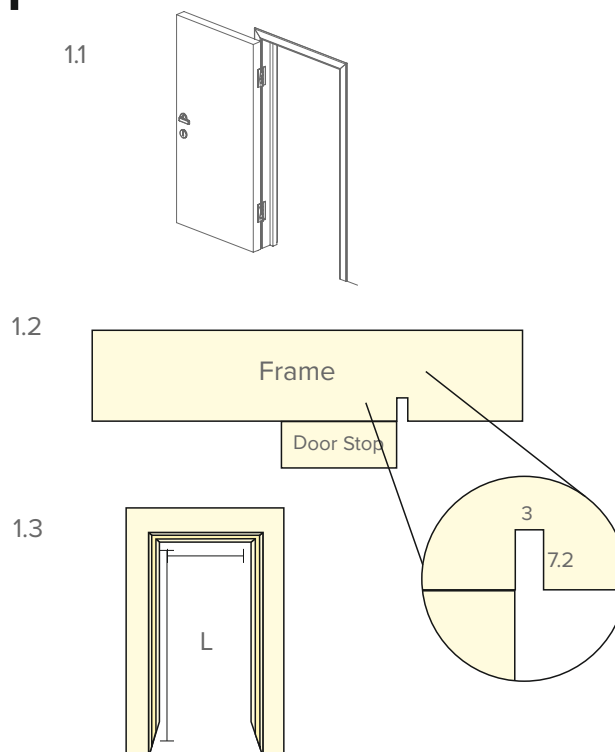
Included:  
1 x NOR 710FR

All dimensions in mm



Colour	Code
White	NOR710FRW
Black	NOR710FRBK
Brown	NOR710FRB

### 1

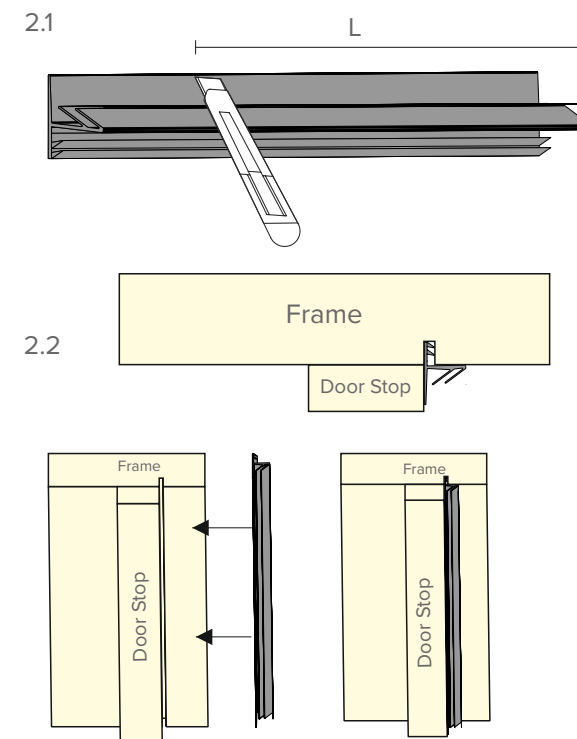


**1.1** The NOR710FR must be fitted with the door fully open.

**1.2** The door frame should be prepared prior to fitment using a standard kerf saw cut of 3mm wide by 7.2 deep and ensure the groove is clean and dust free.

**1.3** Measure (L) the height of both jamb stops and door head and accurately mark the seal.

### 2



**2.1** Cut the seal to required length (L) using a sharp knife.

**2.2** Gradually push fit the seal into the groove up both jambs and head of the frame.  
(Note, The seal must not impede the opening and closing of the door)