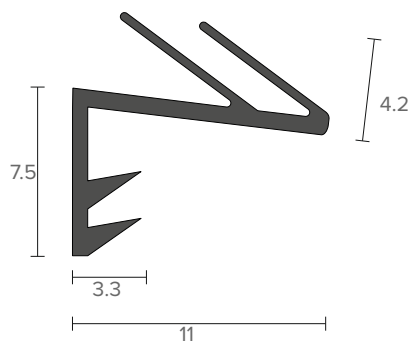


Tools



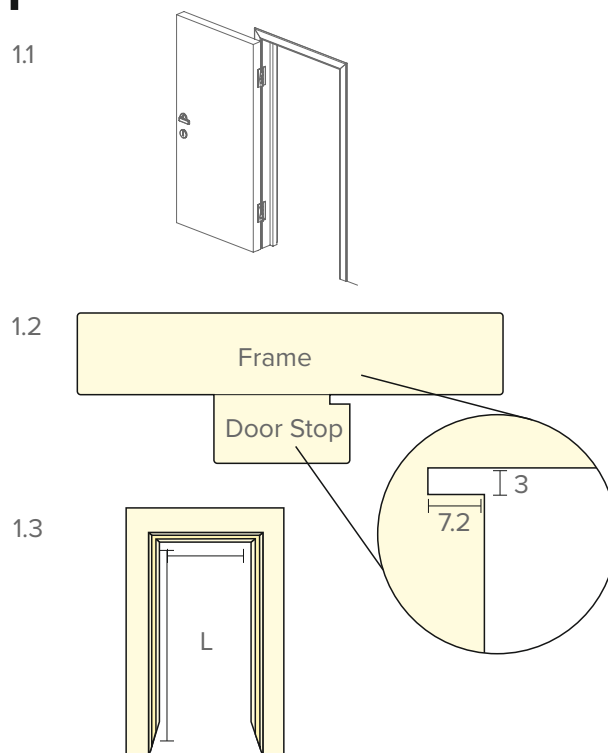
Included:
1x NOR 710STOP

All dimensions in mm



Colour	Code
White	NOR710ST/2100/WH
Black	NOR710ST/2100/BK
Brown	NOR710ST/2100/BR
Grey	NOR710ST/2100/GR

1

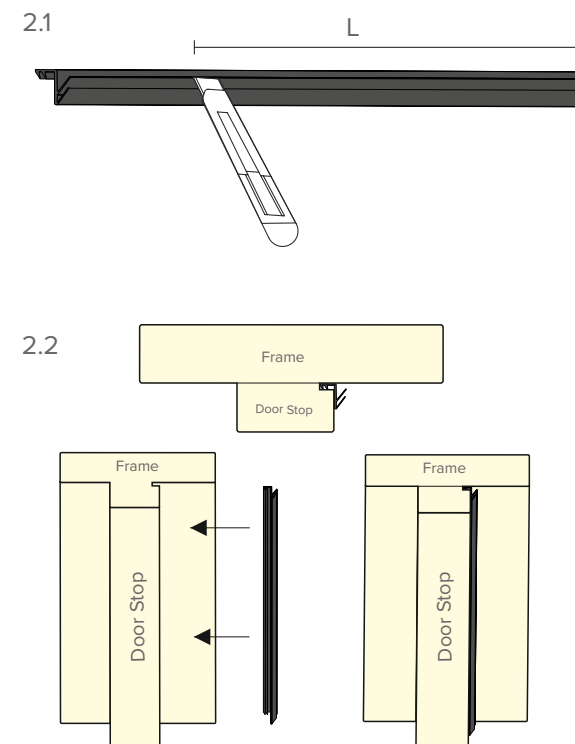


1.1 The NOR710STOP must be fitted with the door fully open.

1.2 The door stop should be prepared prior to fitment using a standard kerf saw cut of 3mm wide by 7.2 deep and ensure the groove is clean and dust free.

1.3 Measure (L) the height of both jamb stops and door head and accurately mark the seal.

2



2.1 Cut the seal to required length (L) using a sharp knife.

2.2 Peel off self adhesive backing and gradually push fit the seal into the groove up both jambs and head of the frame. (Note, The seal must not impede the opening and closing of the door)