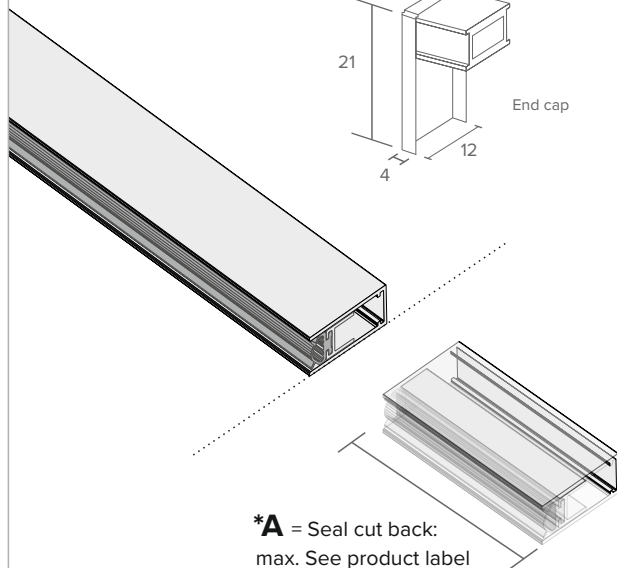
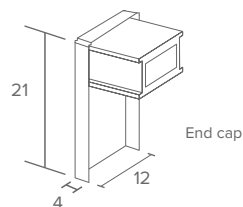
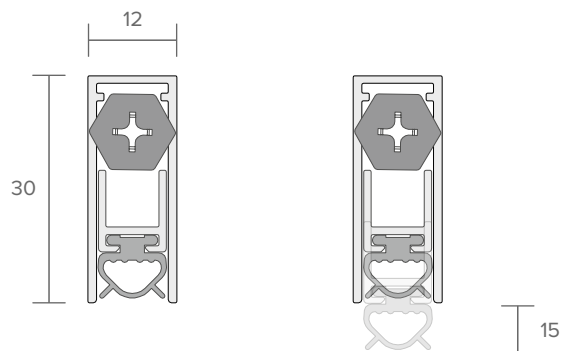


Tools

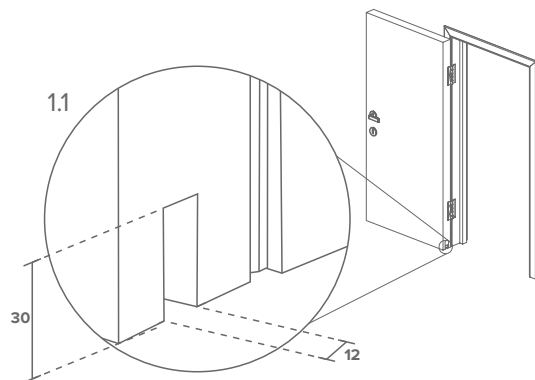


Included:  
1 x NOR810S+ Automatic drop seal  
1 x End cap  
2 x Fixing screws

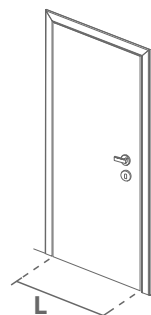
All dimensions in mm



**1**



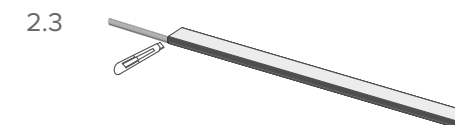
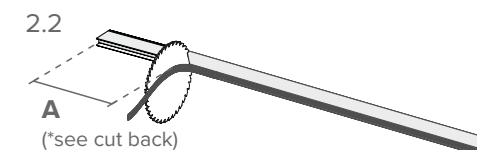
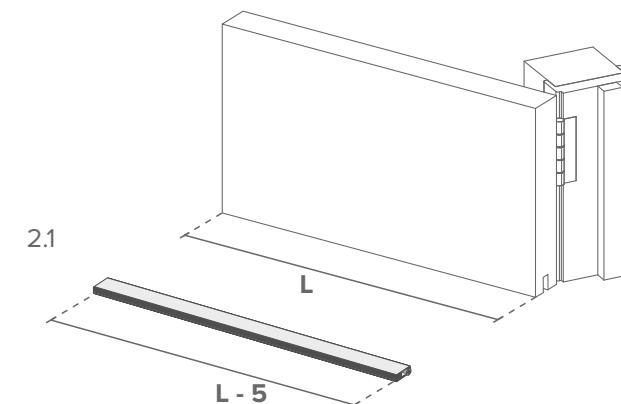
1.2



**1.1** If installed, remove door from hinges lay on its side and restrain firmly. Using a router machine mortise bottom of door a groove 30 x 12 mm the full width of the door.

**1.2** Measure length of door (L).

**2**

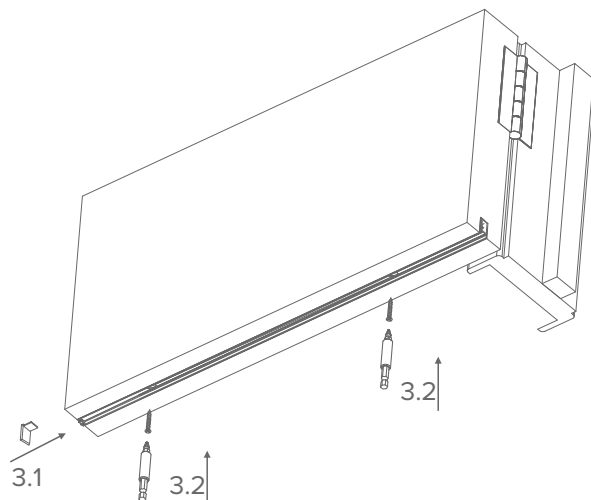


**2.1** Using length (L) measure seal from actuator end to length (L-5).

**2.2** Partially remove silicon gasket to cut seal at length (L-5) ensure to consider max cut back (A).

**2.3** Replace silicon gasket and cut to size.

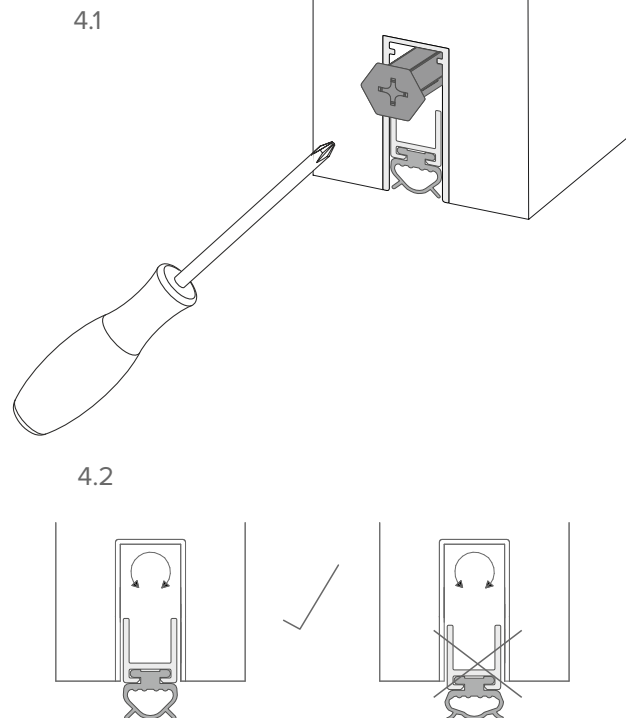
### 3



**3.1** Push fit end cap into place on non-hinge side of seal.

**3.2** Insert seal into bottom of door.  
Screw into place using 2 x fixing screws supplied.

### 4



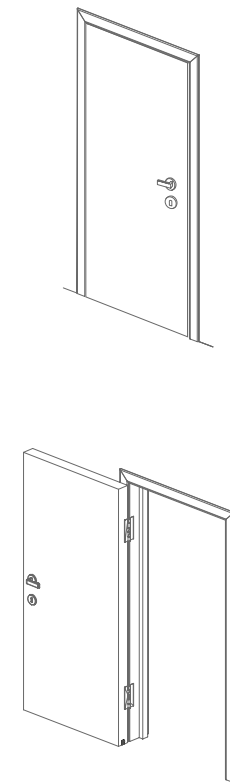
**4.1** To adjust the seal use a screwdriver

**4.2** Rotate actuator clockwise to reduce drop distance or anti-clockwise to increase drop distance then replace the actuator.

**4.3** Seal should touch floor.

The seal can be deactivated completely by removing the actuator.

### 5



**5** Open and close door to test seal drop.

Repeat step 4 and test again if further adjustment required.

For copy fitting instructions visit [norsound.com/fitting](http://norsound.com/fitting)